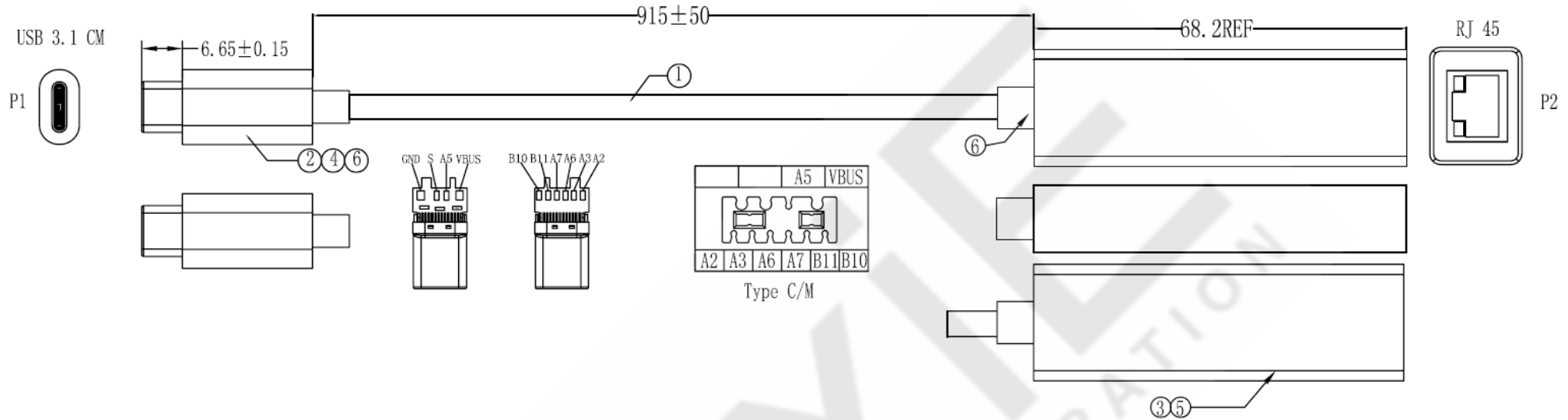


MECHANICAL (mm)



1	USB 3.1	USB3.1 (#32*1P+D+AL+MY_*4C+#32*4C+#32*1P*#26*1C+AB OD=4.00MM L=300mm (3 FEET)
2	TYPC C/M	C TO 3.0 R2 5.1K 10nf
3	PCBA	USB 3.0 TO RJ45
4	USB3.1	USB3.1 ABS L21*12.25mm
5	RJ45	RJ45 (ABS)
6	PVC	PVC 45P

MOXIE NOTES:

The following MoxiE Inductor Corporation Specification shall be considered Confidential in nature. Each person or persons in receipt of this specification shall not disclose any confidential information in whole or in part without written authorization from MoxiE Inductor Corporation.

- TYPE C TO RJ45.
- 100% Open & Short Testing.
- Operating temperature: 0°C to +70°C.
- Storage temperature: -40°C to +85°C.
- RoHS Compliant.
- MoxiE Inductor Corporation custom designs are subject to United States copyright and or patent protection(s).
- MoxiE Inductor Corporation specifications are subject to change without notice.

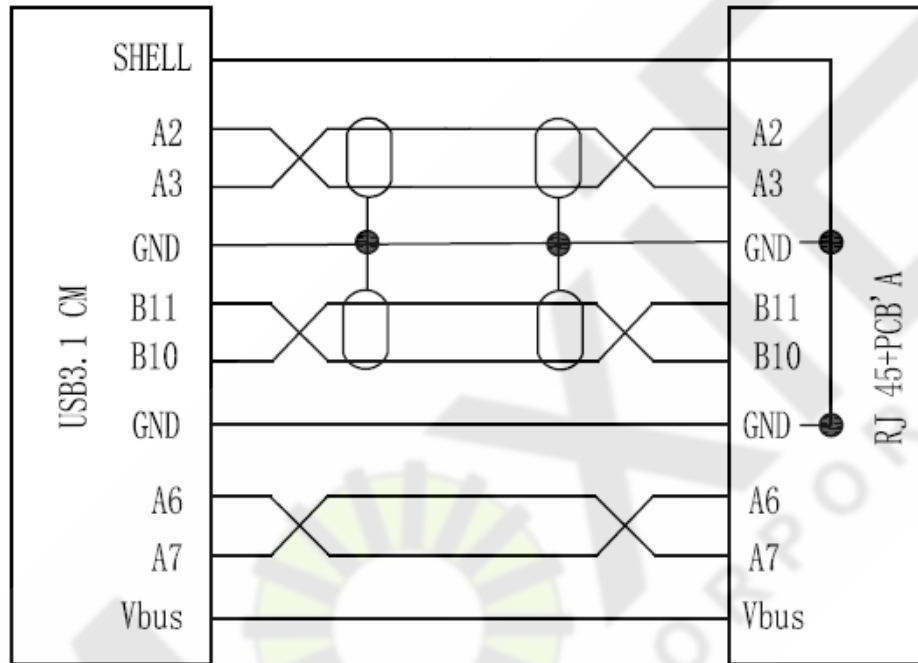


(888) 535.5207 WWW.MOXIEINDUCTORS.COM

TYPE C TO RJ45 (3 FEET)

MOX-USBCRJ45-3

SCHEMATIC



MOXIE NOTES :

The following MoxiE Inductor Corporation Specification shall be considered Confidential in nature. Each person or persons in receipt of this specification shall not disclose any confidential information in whole or in part without written authorization from MoxiE Inductor Corporation.

- TYPE C TO RJ45.
- 100% Open & Short Testing.
- Operating temperature: 0°C to +70°C.
- Storage temperature: -40°C to +85°C.
- RoHS Compliant.
- MoxiE Inductor Corporation custom designs are subject to United States copyright and or patent protection(s).
- MoxiE Inductor Corporation specifications are subject to change without notice.



(888) 535.5207 WWW.MOXIEINDUCTORS.COM

TYPE C TO RJ45 (3 FEET)

MOX-USBCRJ45-3