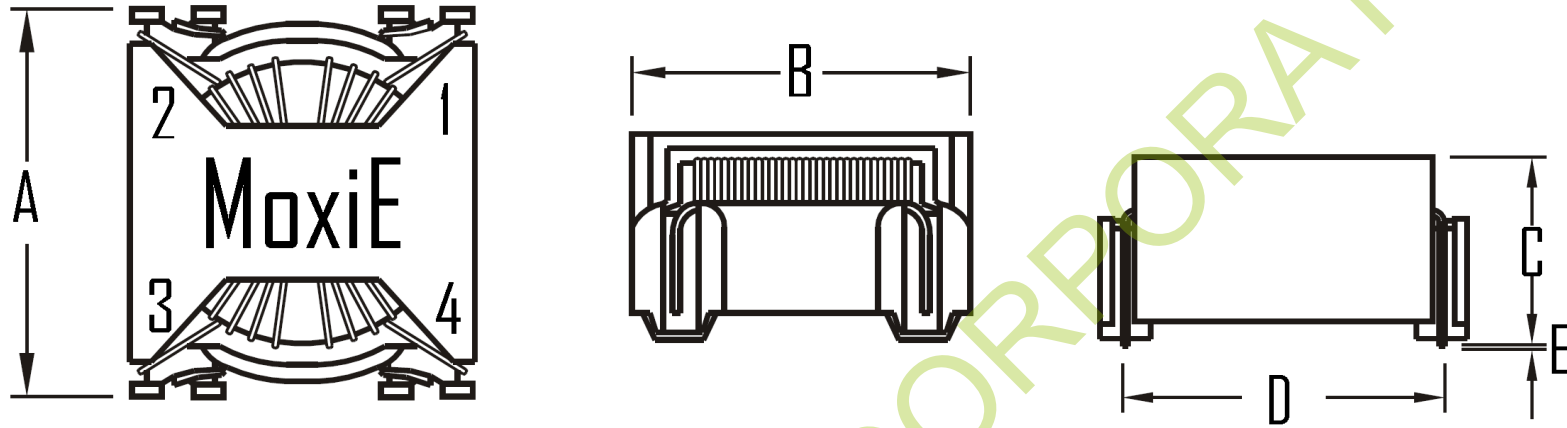


# MECHANICAL (mm)



MOXIE PART	A	B	C	D	E
MDX-CMCSM-12	12.20 TYP.	13.70 TYP.	6.35	8.38	0.63
MDX-CMCSM-16	16.00 TYP.	14.00 TYP.	7.87	13.46	0.63
MDX-CMCSM-18	19.00 TYP.	16.50 TYP.	8.89	16.76	0.63
MDX-CMCSM-19	19.00 TYP.	16.50 TYP.	8.89	16.76	0.63

## MOXIE NOTES:

- MoxiE custom designs available.
- Temp. Rise : 45°C at maximum current.
- Resistance to solder heat : 260°C. for 10 (ten) seconds.
- Operating temperature: -40°C to +105°C.
- Storage temperature: -40°C to +125°C.
- RoHS Compliant.
- MoxiE Inductor Corporation custom designs are subject to United States copyright and or patent protection(s).
- MoxiE Inductor Corporation specifications are subject to change without notice.
- Tolerances unless otherwise specified: 0~10=±0.15, 10~20=±0.20, 20~40=±0.25, 40~70=±0.30, ≥70=±0.40

**MoxiE**  
INDUCTOR CORPORATION

(888)535.5207 WWW.MOXIEINDUCTORS.COM

SURFACE MOUNT COMMON MODE CHOKES

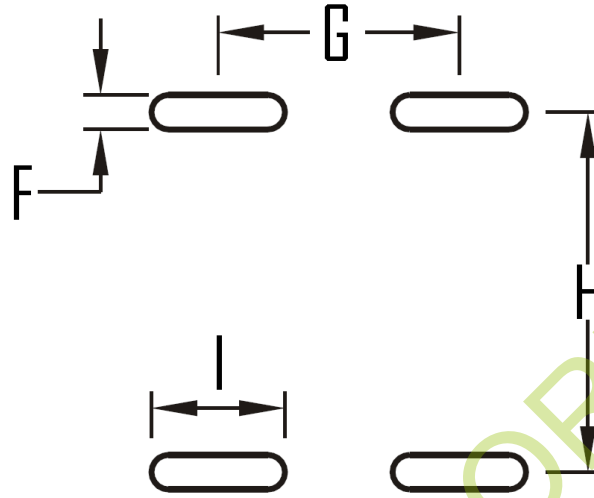
MOX-CMCSM SERIES

PAGE 1/3

REV. A

DWG NUMBER: MOXCMCSM10

PCB LAYOUT (mm)



MOXIE PART	F	G	H	I
MDX-CMCSM-12	1.52	8.38	10.40	4.50
MDX-CMCSM-16	1.52	8.63	13.46	4.50
MDX-CMCSM-18	1.52	11.30	16.76	4.50
MDX-CMCSM-19	1.52	11.30	16.76	4.50

**MOXIE NOTES:**

- MoxiE custom designs available.
- Temp. Rise : 45°C at maximum current.
- Resistance to solder heat : 260°C. for 10 (ten) seconds.
- Operating temperature: -40°C to +105°C.
- Storage temperature: -40°C to +125°C.
- RoHS Compliant.
- MoxiE Inductor Corporation custom designs are subject to United States copyright and or patent protection(s).
- MoxiE Inductor Corporation specifications are subject to change without notice.
- Tolerances unless otherwise specified: 0~10=±0.15, 10~20=±0.20, 20~40=±0.25, 40~70=±0.30, ≥70=±0.40

**MoxiE**  
INDUCTOR CORPORATION

(888)535.5207 WWW.MOXIEINDUCTORS.COM

SURFACE MOUNT COMMON MODE CHOKES

MOX-CMCSM SERIES

PAGE 2/3

REV. A

DWG NUMBER: MOXCMCSM10

## ELECTRICAL @ 25°C

MoxiE Part Number	L (mH)	Test Frequency (KHz)	DCR ( $\Omega$ ) Max.	IDC (A) Max.
MDX-CMCSM-12-122Y	1.17	10.00	0.220	1.25
MDX-CMCSM-12-881Y	0.885	10.00	0.110	1.65
MDX-CMCSM-16-102Y	1.00	10.00	0.060	1.55
MDX-CMCSM-16-103Y	10.00	10.00	0.450	1.05
MDX-CMCSM-16-223Y	22.00	10.00	0.850	0.55
MDX-CMCSM-18-102Y	1.00	10.00	0.050	3.65
MDX-CMCSM-18-302Y	3.00	10.00	0.080	2.55
MDX-CMCSM-19-221Y	0.225	10.00	0.060	3.35
MDX-CMCSM-19-801Y	0.768	10.00	0.040	4.75
MDX-CMCSM-19-132Y	1.32	10.00	0.060	3.32
MDX-CMCSM-19-591Y	0.59	10.00	0.020	5.65
MDX-CMCSM-19-162Y	1.59	10.00	0.080	2.83

**MOXIE NOTES:**

- MoxiE custom designs available.
- Temp. Rise : 45°C at maximum current.
- Resistance to solder heat : 260°C. for 10 (ten) seconds.
- Operating temperature: -40°C to +105°C.
- Storage temperature: -40°C to +125°C.
- RoHS Compliant.
- MoxiE Inductor Corporation custom designs are subject to United States copyright and or patent protection(s).
- MoxiE Inductor Corporation specifications are subject to change without notice.
- Tolerances unless otherwise specified: 0~10=±0.15, 10~20=±0.20, 20~40=±0.25, 40~70=±0.30, ≥70=±0.40

**MoxiE**  
INDUCTOR CORPORATION

(888)535.5207 WWW.MOXIEINDUCTORS.COM

SURFACE MOUNT COMMON MODE CHOKES

MOX-CMCSM SERIES

PAGE 3/3

REV. A

DWG NUMBER: MOXCMCSM10