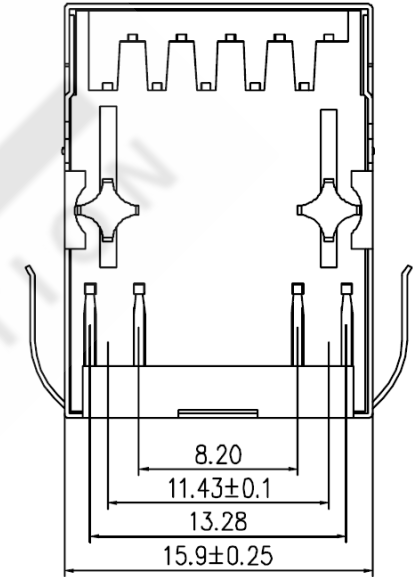
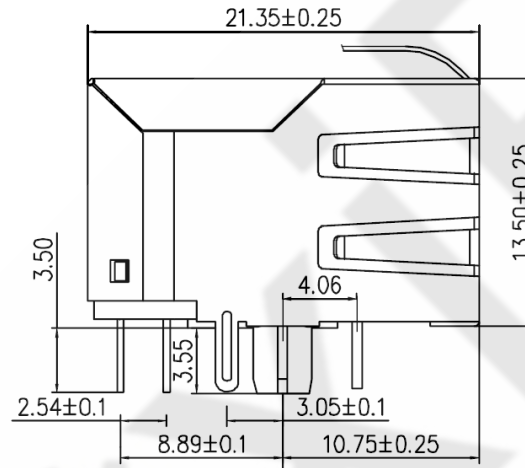
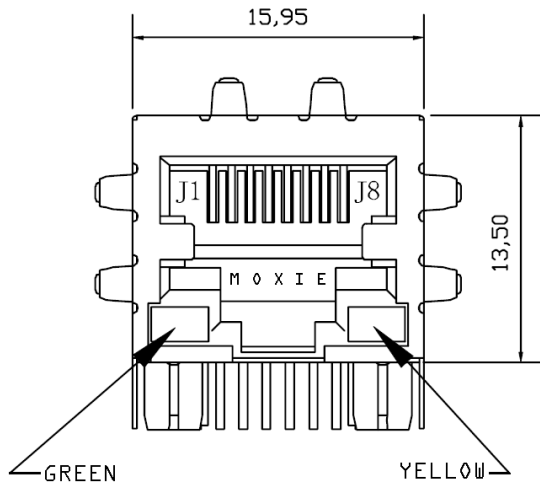


MECHANICAL (mm)



MOXIE NOTES:

- Packaging: Tray
- RoHS Compliant.
- Moisture sensitivity: Level 1.
- RoHS "NL" peak solder rating: 245°C
- Operating temperature range: -40°C to +85°C.
- Storage temperature range: -40°C to +85°C.
- MoxiE Inductor Corporation custom designs are subject to United States copyright and or patent protection(s).
- MoxiE Inductor Corporation specifications are subject to change without notice.
- Tolerances unless otherwise specified: 0-10=±0.15, 10-20=±0.20, 20-40=±0.25, 40-70=±0.30, ≥70=±0.40

MoxiE
INDUCTOR CORPORATION

(888) 535-5207 WWW.MOXIEINDUCTORS.COM

100/1000 BASE-TX RJ45 WITH PoE+

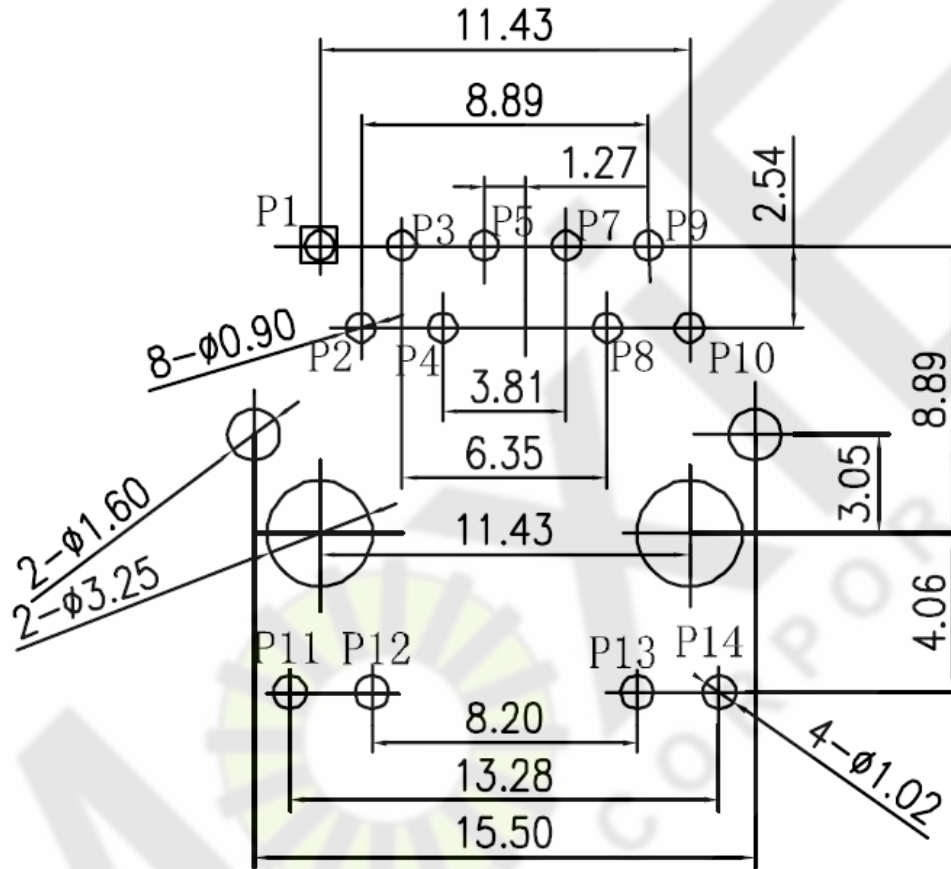
MOXIE MOX-RJ45-1416

PAGE 1/4

REV. -

DWG #: MOXRJ451416

PCB LAYOUT



MOXIE NOTES:

- Packaging: Tray
- RoHS Compliant.
- Moisture sensitivity: Level 1.
- RoHS "NL" peak solder rating: 245°C
- Operating temperature range: -40°C to +85°C.
- Storage temperature range: -40°C to +85°C.
- MoxiE Inductor Corporation custom designs are subject to United States copyright and or patent protection(s).
- MoxiE Inductor Corporation specifications are subject to change without notice.
- Tolerances unless otherwise specified: 0-10=±0.15, 10-20=±0.20, 20-40=±0.25, 40-70=±0.30, ≥70=±0.40

MoxiE
INDUCTOR CORPORATION

(888) 535-5207 WWW.MOXIEINDUCTORS.COM

100/1000 BASE-TX RJ45 WITH PoE+

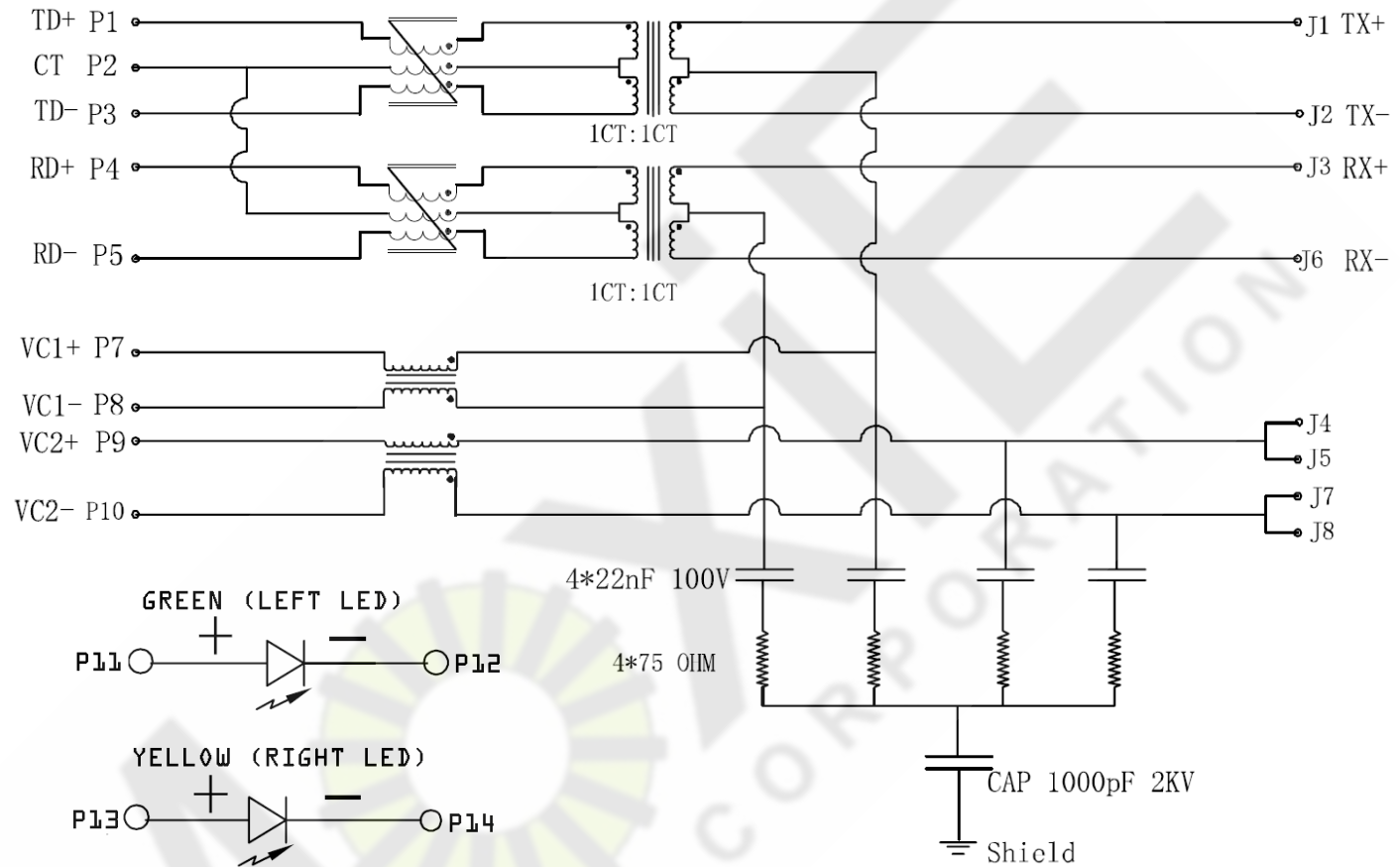
MOXIE MOX-RJ45-1416

PAGE 2/4

REV. -

DWG #: MOXRJ451416

SCHEMATIC



MOXIE NOTES:

- Packaging: Tray
- RoHS Compliant.
- Moisture sensitivity: Level 1.
- RoHS "NL" peak solder rating: 245°C
- Operating temperature range: -40°C to +85°C.
- Storage temperature range: -40°C to +85°C.
- MoxiE Inductor Corporation custom designs are subject to United States copyright and or patent protection(s).
- MoxiE Inductor Corporation specifications are subject to change without notice.
- Tolerances unless otherwise specified: 0-10=±0.15, 10-20=±0.20, 20-40=±0.25, 40-70=±0.30, ≥70=±0.40

MoxiE
INDUCTOR CORPORATION

(888) 535-5207 WWW.MOXIEINDUCTORS.COM

100/1000 BASE-TX RJ45 WITH PoE+

MOXIE MOX-RJ45-1416

PAGE 3/4

REV. -

DWG #: MOXRJ451416

ELECTRICAL @ 25°C

INDUCTANCE	350μH MINIMUM @ 100KHz, 0.1V, 8mA DC BIAS
ISOLATION VOLTAGE	1500V/AC (INPUT TO OUTPUT)
INSERTION LOSS	100KHz~100MHz: -1.2dB MAXIMUM
RETURN LOSS (LOAD 100Ω)	1~30MHz: -18dB MINIMUM 30~60MHz: -14dB MINIMUM 60~80MHz: -12dB MINIMUM
CROSSTALK	1~100MHz: -30dB MINIMUM
COMMON MODE REJECTION	1~100MHz: -30dB MINIMUM
HI-POT	1500Vrms MINIMUM @ 60Hz
POE+ RATING	30W, 750Ma, 57V

MOXIE NOTES:

- Packaging: Tray
- RoHS Compliant.
- Moisture sensitivity: Level 1.
- ROHS "NL" peak solder rating: 245°C
- Operating temperature range: -40°C to +85°C.
- Storage temperature range: -40°C to +85°C.
- MoxiE Inductor Corporation custom designs are subject to United States copyright and or patent protection(s).
- MoxiE Inductor Corporation specifications are subject to change without notice.
- Tolerances unless otherwise specified: 0-10=±0.15, 10-20=±0.20, 20-40=±0.25, 40-70=±0.30, ≥70=±0.40



(888) 535-5207 WWW.MOXIEINDUCTORS.COM

100/1000 BASE-TX RJ45 WITH PoE+

MOXIE MOX-RJ45-1416