

MOX-RJ45-1SM SERIES



10/100 RJ45 CONNECTOR WITH INTEGRATED MAGNETICS (SURFACE MOUNT)

- Available in tape & reel packaging.
- Available with or without LEDs.
- RoHS NL peak solder rating 235°C.
- Meets or exceeds IEEE 802.3 standard for 100Base-T.
- 350uH minimum OCL with 8 mA bias current.
- RoHS compliant.
- Operating temperature: 0°C to +70°C.
- Industrial temperature range of -40°C to +85°C available.
- MoxiE custom designs available.



ELECTRICAL SPECIFICATIONS @ 25°C

MoxiE Part Number	Turns Ratio		Insertion Loss (dB typical)			Return Loss (dB typical) 100Ω±15Ω			Crosstalk (dB typical)			Common Mode Rejection (dB typical)		Hi-Pot (Vrms)
	TX	RX	1-80 MHz	1-100 MHz	10-30 MHz	30-60 MHz	60-100 MHz	10-30 MHz	30-60 MHz	60-80 MHz	1-50 MHz	50-150 MHz	@60Hz 1MIN	
MOX-RJ45-1SM	1CT:1	1CT:1	-1.0	-20.0	-14.0	-14.0	-10.0	-35.0	-35.0	-35.0	-30.0	.20.0	1500	

MOXIE MATERIAL SPECIFICATIONS

SHIELD		CONTACT			CASE HOUSING		MSL RATING
Material	Finish	Material	Plating Area	Solder Area	Material	Specification	
Brass	20-40μ inches thick nickel over Brass	Phosphor Bronze	30μ inches gold over 30-80μ inches nickel	75-300μ inches tin-lead over 75-300μ inches nickel	Thermoplastic	UL 94 V-0	1

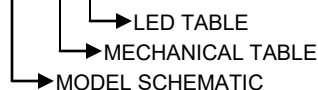
MOXIE MECHANICAL OPTIONS

A	WITH LED & EMI-FINGER
B	WITH LED & NON EMI-FINGER
C	WITHOUT LED, WITH EMI-FINGER
D	WITHOUT LED & EMI-FINGER

LED ORDERING OPTIONS

LED CODE	LED COLOR		LED POLARITY
A	Y	G	
B	G	Y	

MOX-RJ45-XXXX X X

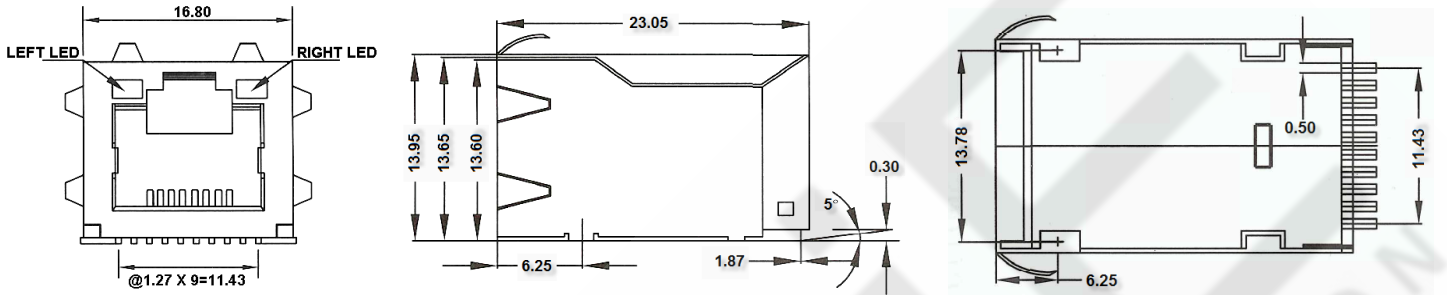


MOX-RJ45-1SM SERIES

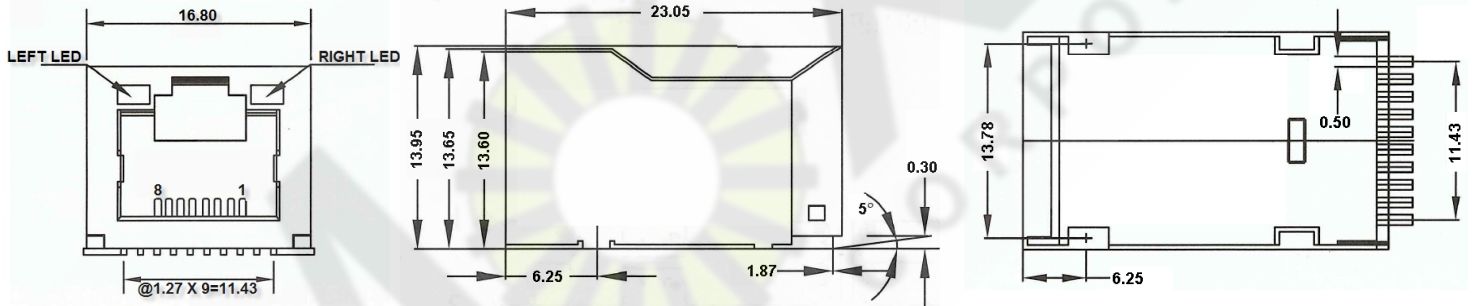
10/100 RJ45 CONNECTOR WITH INTEGRATED MAGNETICS (SURFACE MOUNT)



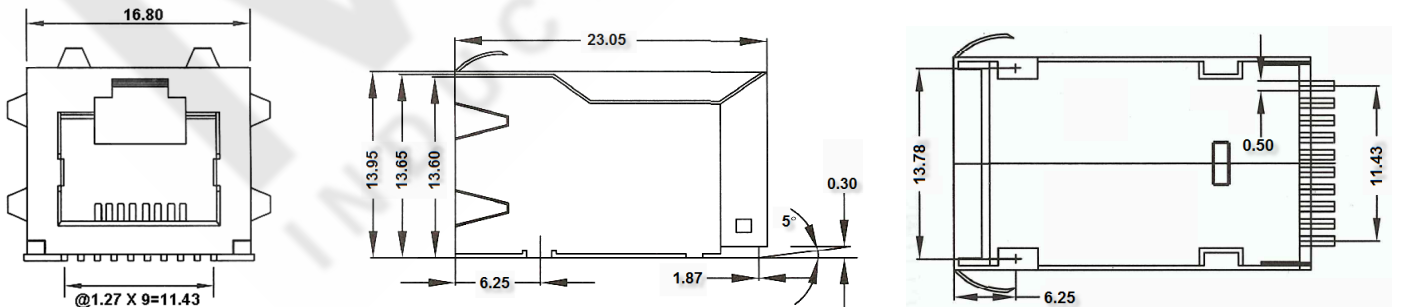
(A) WITH LED & EMI-FINGER



(B) WITH LED & NON EMI-FINGER



(C) WITHOUT LED & WITH EMI-FINGER

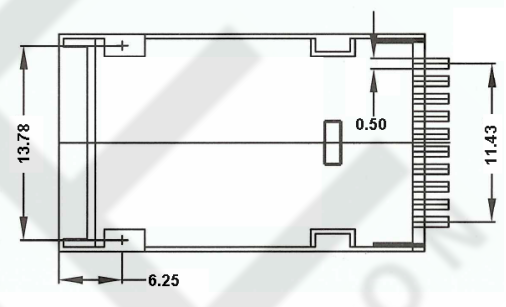
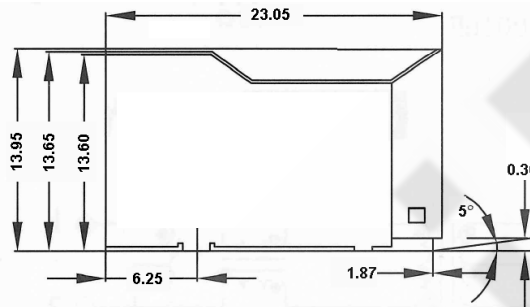
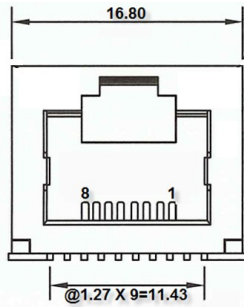


MOX-RJ45-1SM SERIES

10/100 RJ45 CONNECTOR WITH INTEGRATED MAGNETICS (SURFACE MOUNT)



(D) WITHOUT LED & EMI FINGER



SCHEMATICS

