

MOX-RJ45TD SERIES



10/100 BASE-TX RJ CONNECTOR WITH INTEGRATED MAGNETICS (TAB DOWN)

- Designed to support applications, such as SOHO (ADSL modems),
- LAN-on-Motherboard (LOM), Hub and switches.
- Operating temperature: 0°C to +70°C.
- Industrial temperature range of -40°C to +85°C available.
- RoHS NL peak solder rating 235°C.
- Meets or exceeds IEEE 802.3 standard for 100Base-T
- 350uH minimum OCL with 8 mA bias current.
- RoHS compliant.
- MoxiE custom designs available.



ELECTRICAL SPECIFICATIONS @ 25°C

MoxiE Part Number	Turns Ratio		Insertion Loss (dB typical)		Return Loss (dB typical) 100Ω±15Ω			Crosstalk (dB typical)			Common Mode Rejection (dB typical)		Hi-Pot (Vrms)
	TX	RX	1-65 MHz	1-10 MHz	10-30 MHz	30-60 MHz	60-100 MHz	10-30 MHz	30-60 MHz	60-100 MHz	1-50 MHz	50-150 MHz	@60Hz 1MIN
MOX-RJ45-TD006	1CT:1	1CT:1	-1.0	-20.0	-16.0	-12.0	-10.0	-40.0	-35.0	-30.0	-30.0	.20.0	1500
MOX-RJ45-TD011	1CT:1	1CT:1	-1.0	-20.0	-16.0	-12.0	-10.0	-40.0	-35.0	-30.0	-30.0	.20.0	1500
MOX-RJ45-TD012	1CT:1	1CT:1	-1.0	-20.0	-16.0	-12.0	-10.0	-40.0	-35.0	-30.0	-30.0	.20.0	1500
MOX-RJ45-TD018	1CT:1.4	1CT:1T	-1.0	-20.0	-16.0	-12.0	-10.0	-40.0	-35.0	-30.0	-30.0	.20.0	1500
MOX-RJ45-TD024	1CT:2	1CT:1	-1.0	-20.0	-16.0	-12.0	-10.0	-40.0	-35.0	-30.0	-30.0	.20.0	1500
MOX-RJ45-TD026	1.25CT:1	1CT:1	-1.0	-20.0	-16.0	-12.0	-10.0	-40.0	-35.0	-30.0	-30.0	.20.0	1500
MOX-RJ45-TD033	1CT:1	1CT:1	-1.0	-20.0	-16.0	-12.0	-10.0	-40.0	-35.0	-30.0	-30.0	.20.0	1500
MOX-RJ45-TD035	1CT:1	1CT:1	-1.0	-20.0	-16.0	-12.0	-10.0	-40.0	-35.0	-30.0	-30.0	.20.0	1500
MOX-RJ45-TD048	1CT:1	1CT:1	-1.0	-20.0	-16.0	-12.0	-10.0	-40.0	-35.0	-30.0	-30.0	.20.0	1500
MOX-RJ45-TD073	1CT:2.5	1CT:1	-1.0	-20.0	-16.0	-12.0	-10.0	-40.0	-35.0	-30.0	-30.0	.20.0	1500

MOXIE MATERIAL SPECIFICATIONS

SHIELD		CONTACT			CASE HOUSING		MSL RATING
Material	Finish	Material	Plating Area	Solder Area	Material	Specification	
Brass	20-40μ inches thick nickel over Brass	Phosphor Bronze	30μ inches gold over 30-80μ inches nickel	75-300μ inches tin-lead over 75-300μ inches nickel	Thermoplastic	UL 94 V-0	1

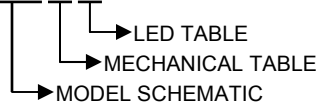
MOXIE MECHANICAL OPTIONS

Option	Description
A	STAGGERED LED FOOTPRINT AND EMI FINGER
B	STAGGERED LED FOOTPRINT AND NON-EMI FINGER
C	WITHOUT LED, WITH EMI FINGER
D	WITHOUT LED, WITHOUT EMI FINGER
E	WITH INLINE LED FOOTPRINT AND EMI FINGER (4.90)
F	WITH INLINE LED FOOTPRINT AND NON-EMI FINGER (4.90)
G	WITH INLINE LED FOOTPRINT AND EM FINGER (4.06)
H	WITH INLINE FOOTPRINT AND NON-EMI FINGER (4.06)

MOXIE LED ORDERING OPTIONS

LED CODE	LED COLOR	LED POLARITY
A	Y G	9°
B	G Y	10°
C	G G	12°
D	Y G	9°
E	G Y	10°
F	G G	11°
G	Y G	10°
H	G Y	9°
W	G G	12°

MOX-RJ45-XXXX X X

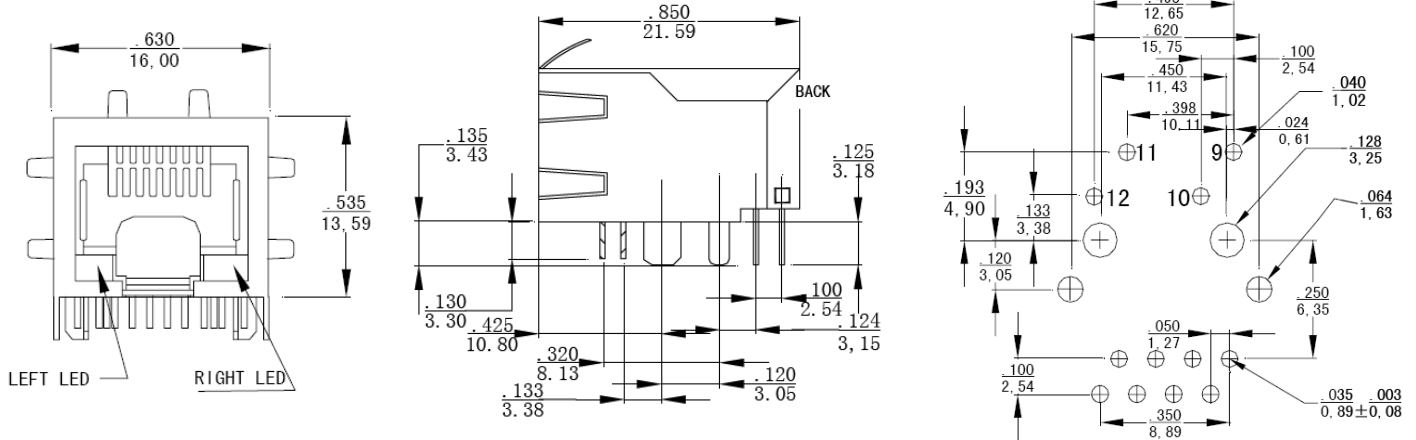


MOX-RJ45TD SERIES

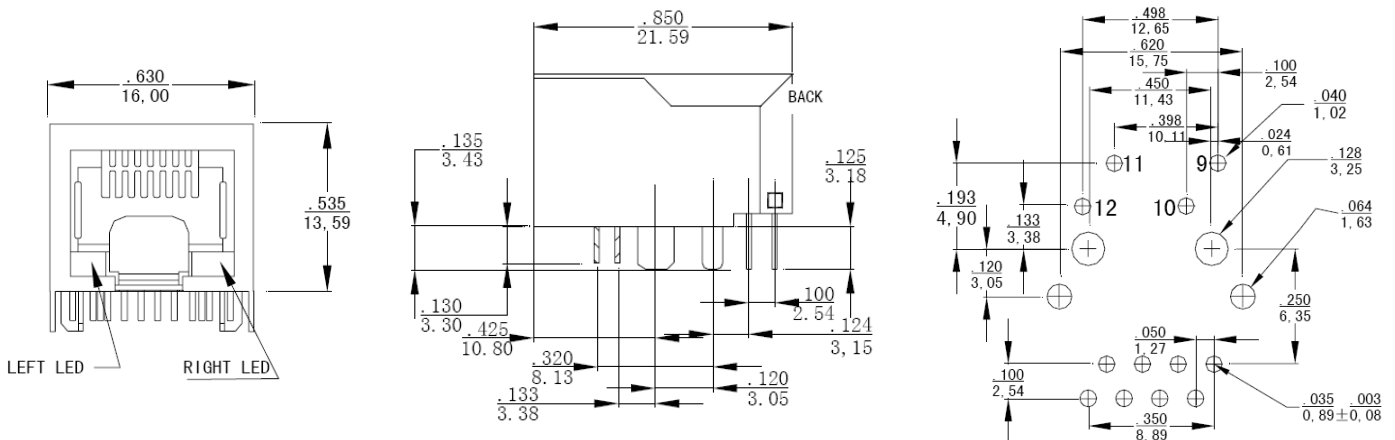
10/100 BASE-TX RJ CONNECTOR WITH INTEGRATED MAGNETICS (TAB DOWN)



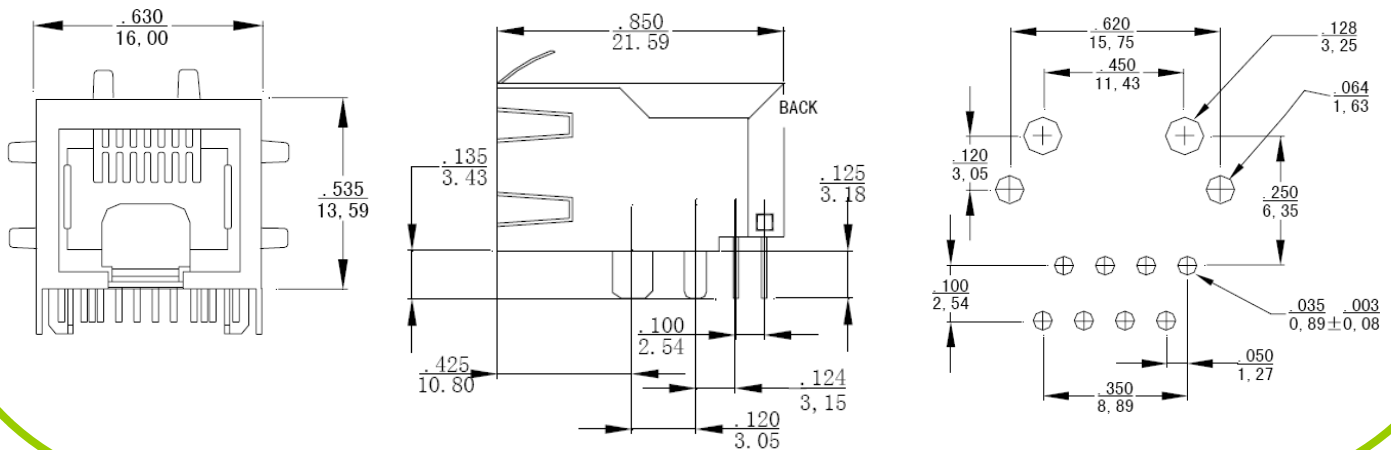
(A) STAGGERED LED FOOTPRINT WITH EMI FINGER



(B) STAGGERED LED FOOTPRINT WITH NON-EMI FINGER



(C) WITHOUT LED & WITH EMI-FINGER

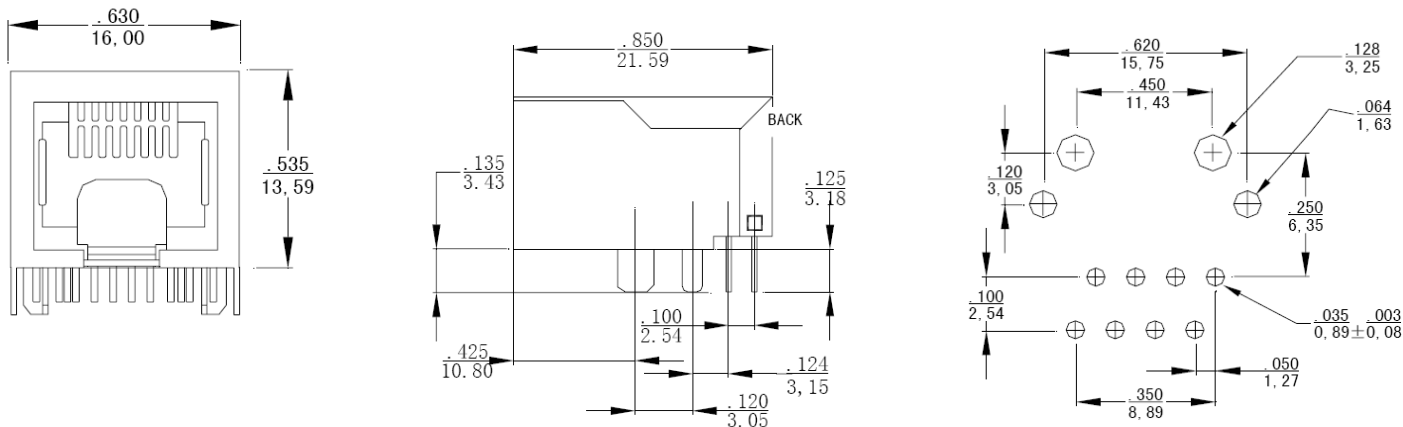


MOX-RJ45TD SERIES

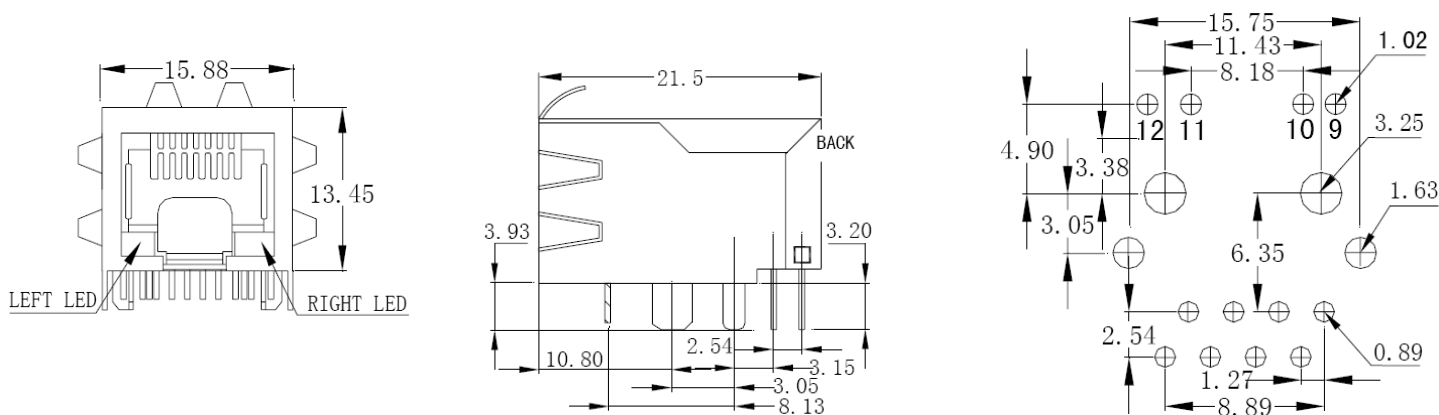
10/100 BASE-TX RJ CONNECTOR WITH INTEGRATED MAGNETICS (TAB DOWN)



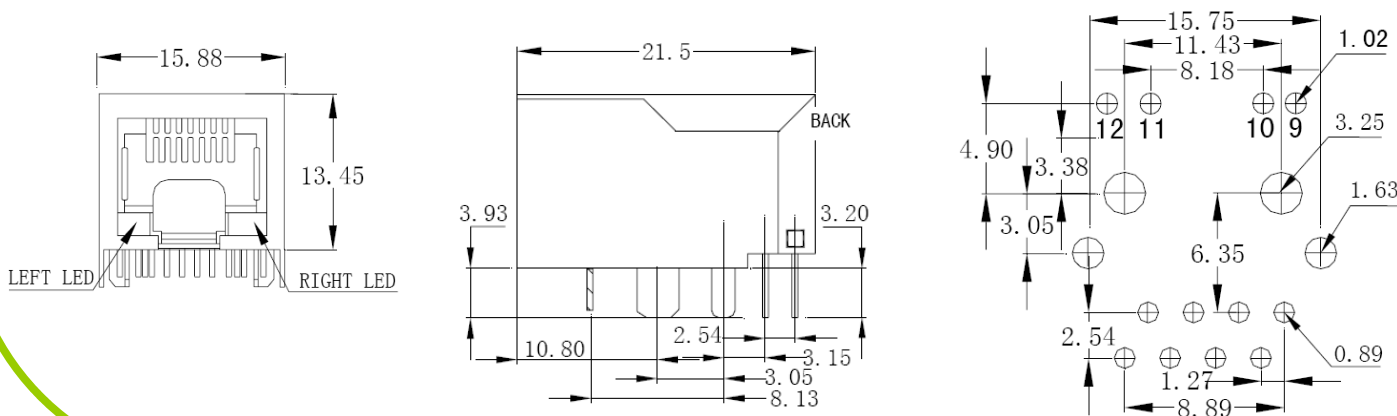
(D) WITHOUT LED & EMI FINGER



(E) WITH INLINE LED FOOTPRINT & EMI FINGER (4.90)



(F) WITH INLINE LED FOOTPRINT & NON-EMI FINGER (4.90)

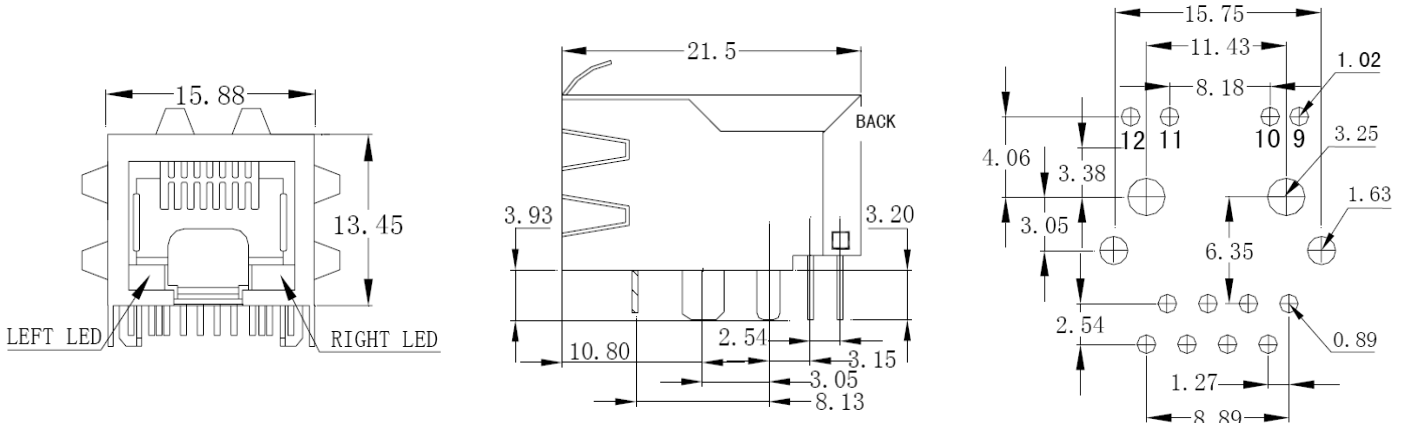


MOX-RJ45TD SERIES

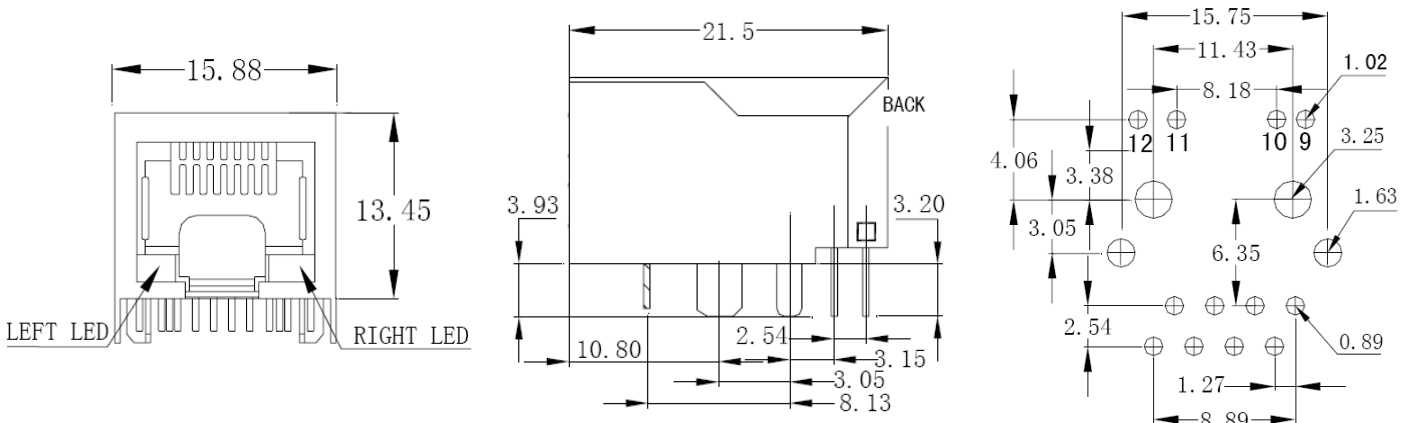
10/100 BASE-TX RJ CONNECTOR WITH INTEGRATED MAGNETICS (TAB DOWN)



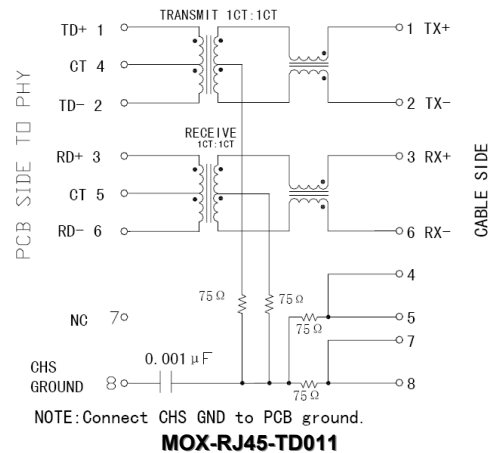
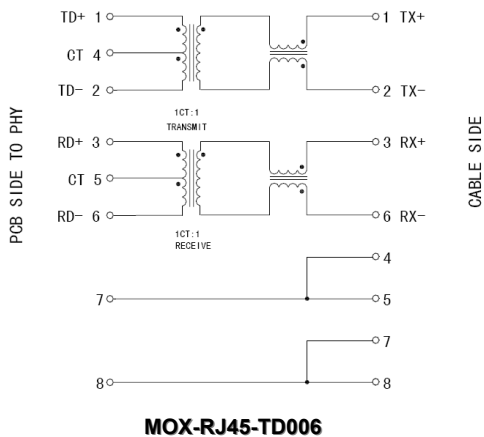
(G) WITH INLINE LED FOOTPRINT & EMI-FINGER (4.06)



(H) WITH INLINE LED FOOTPRINT & NON-EMI FINGER (4.06)



SCHEMATICS



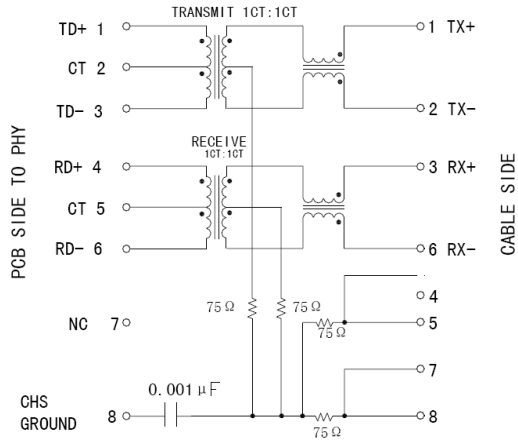
MOX-RJ45TD SERIES

10/100 BASE-TX RJ CONNECTOR WITH INTEGRATED MAGNETICS (TAB DOWN)

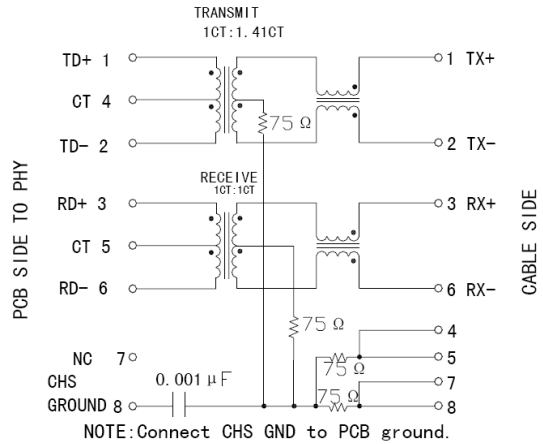
MoxiE[®]
INDUCTOR CORPORATION



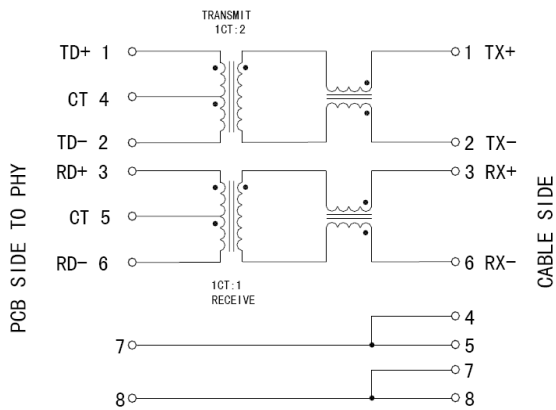
SCHEMATICS



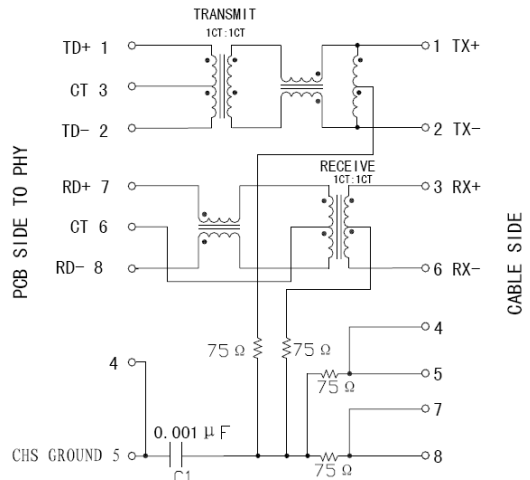
MOX-RJ45-TD012



MOX-RJ45-TD018

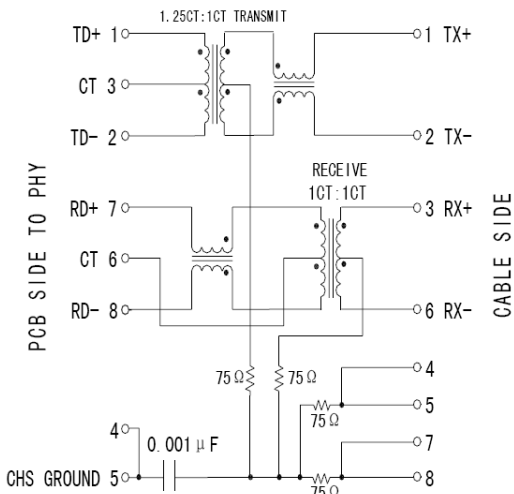


MOX-RJ45-TD024

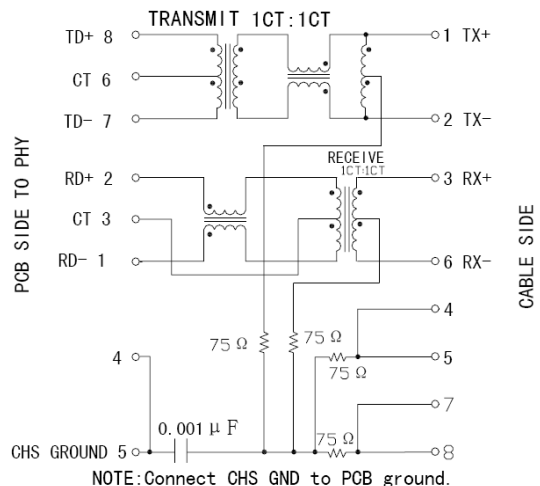


NOTE: Connect CHS GND to PCB ground.

MOX-RJ45-TD026



MOX-RJ45-TD033



NOTE: Connect CHS GND to PCB ground.

MOX-RJ45-TD035

MOX-RJ45TD SERIES

10/100 BASE-TX RJ CONNECTOR WITH INTEGRATED MAGNETICS (TAB DOWN)



SCHEMATICS

