

MOX-SPI-3010-SERIES



MoxiE[®]
INDUCTOR CORPORATION

Ultra Low Profile Surface Mount Power Inductors

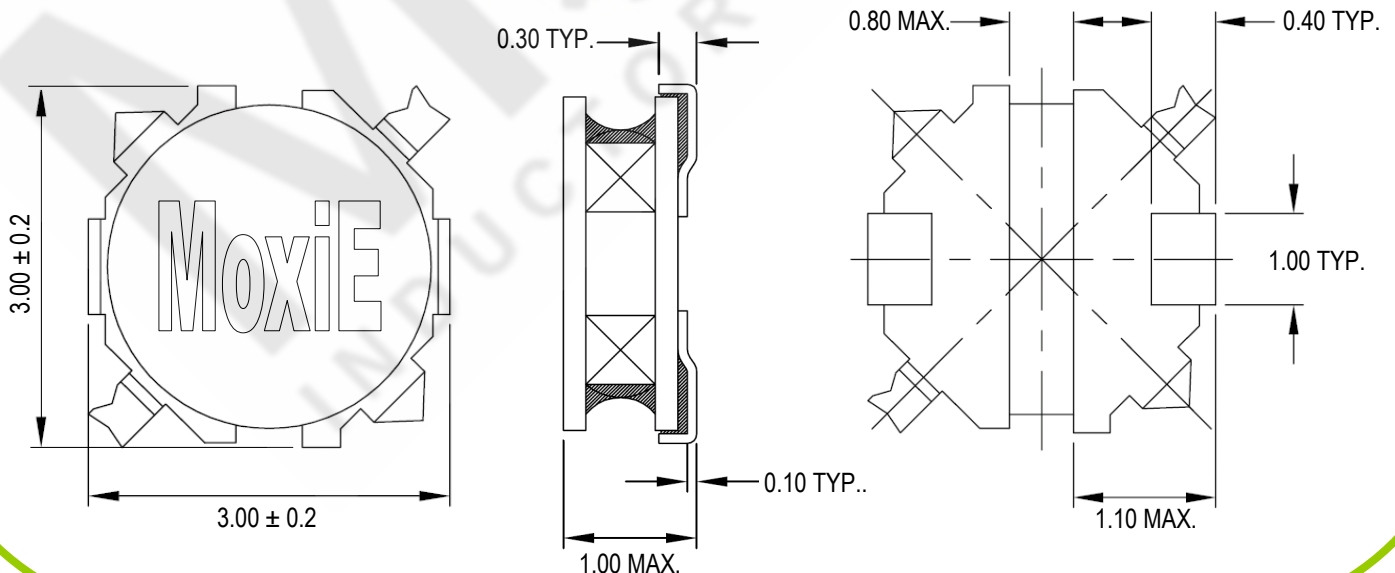
- Low cost.
- Inductance range: 1.0 μ H to 22.0 μ H.
- Ultra low profile package design.
- Operating temperature: -40°C to +105°C.
- Excellent solderability & resistance to soldering heat.
- RoHS compliant.



NOTES



MECHANICAL DIMENSIONS





ELECTRICAL SPECIFICATIONS

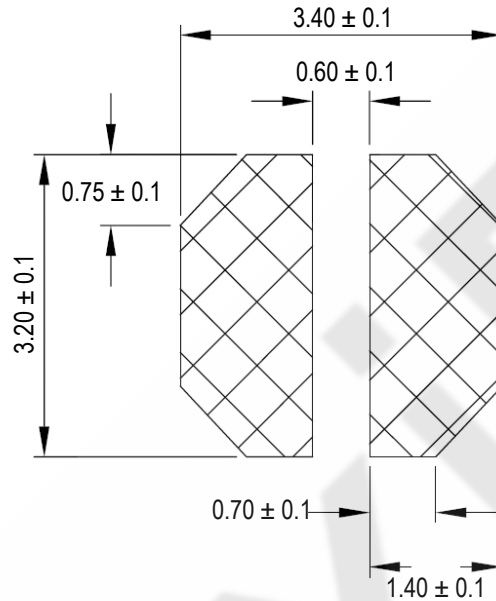
MoxiE Part Number	Inductance (μ H)	Tolerance (\pm)	DC Resistance (Ω) Max.	IDC (A) Max.	Test Frequency
MOX-SPI-3010-1R0R	1.00	30%	0.06	1.45	0.3V/100KHz
MOX-SPI-3010-1R5R	1.50	30%	0.08	1.35	0.3V/100KHz
MOX-SPI-3010-2R2R	2.20	30%	0.11	1.10	0.3V/100KHz
MOX-SPI-3010-3R3R	3.30	30%	0.21	0.85	0.3V/100KHz
MOX-SPI-3010-4R7R	4.70	30%	0.25	0.75	0.3V/100KHz
MOX-SPI-3010-6R8R	6.80	30%	0.30	0.65	0.3V/100KHz
MOX-SPI-3010-100M	10.00	20%	0.48	0.54	0.3V/100KHz
MOX-SPI-3010-150M	15.00	20%	0.70	0.39	0.3V/100KHz
MOX-SPI-3010-220M	22.00	20%	1.10	0.34	0.3V/100KHz

MOXIE NOTES:

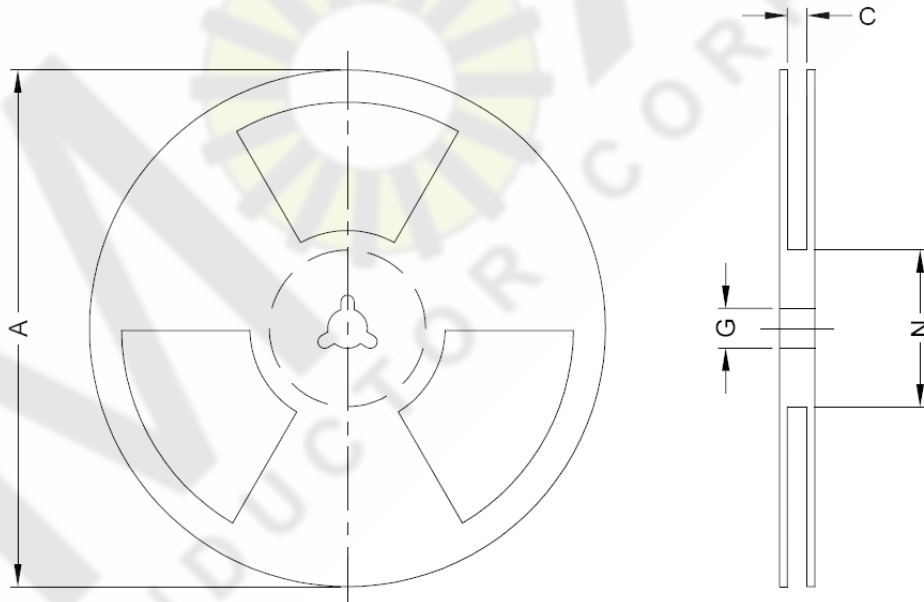
- RoHS COMPLIANT.
- OPERATING TEMPERATURE: -40°C TO +105°C. (INCLUDES SELF TEMPERATURE RISE)
- STORAGE TEMPERATURE: -55°C TO +125°C.
- AMBIENT TEMPERATURE: 25°C.
- PACKAGING: TAPE & REEL (3,000 PIECES PER REEL)
- MOXIE CUSTOM INDUCTANCE VALUES AVAILABLE UPON REQUEST.
- MOXIE INDUCTOR CORPORATION SPECIFICATIONS ARE SUBJECT TO CHANGE WITHOUT NOTICE.
- MOXIE INDUCTOR CORPORATION CUSTOM DESIGNED PRODUCTS ARE SUBJECT TO UNITED STATES PATENT AND OR COPYRIGHT PROTECTION(S)



LANDING PATTERN



PACKAGING (3000 PIECES PER REEL)



Type	A(mm)	C(mm)	G(mm)	N(mm)
13" x 12mm	330	12.5±0.5	13.0±0.5	100±1.0