

# MOX-RJ45-USB1A



**MoxiE**  
INDUCTOR CORPORATION

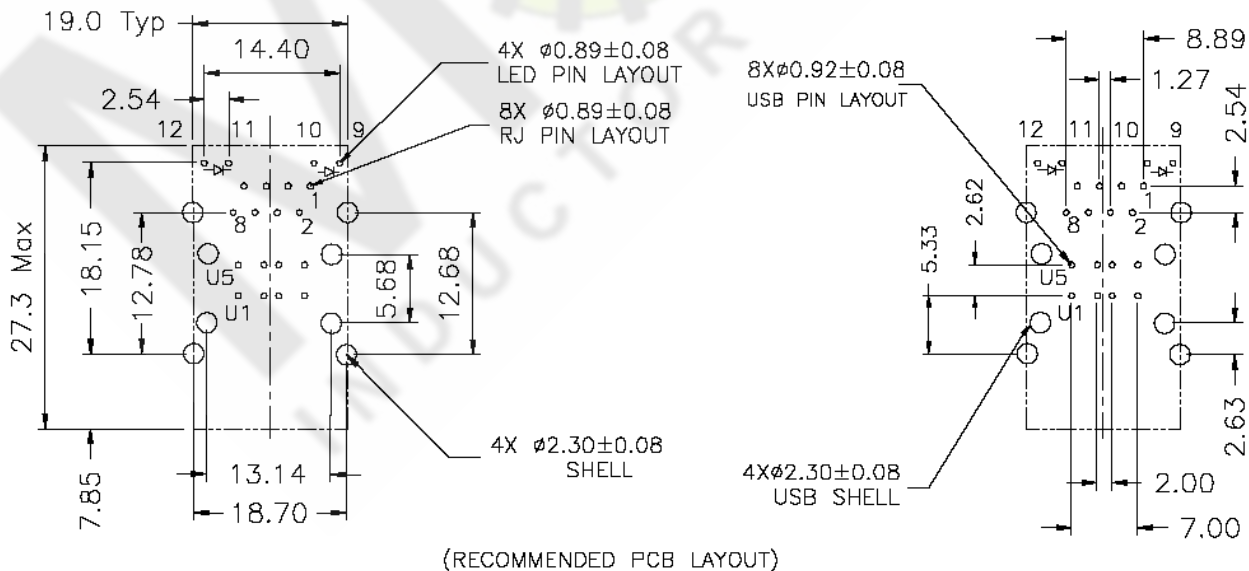
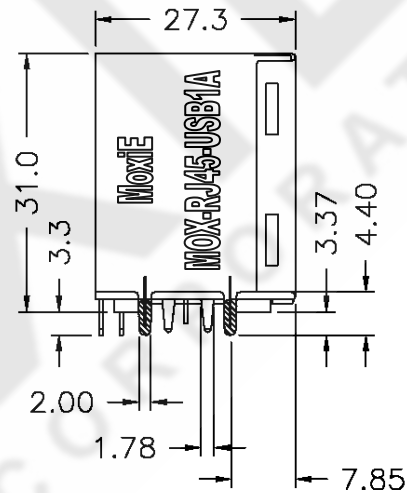
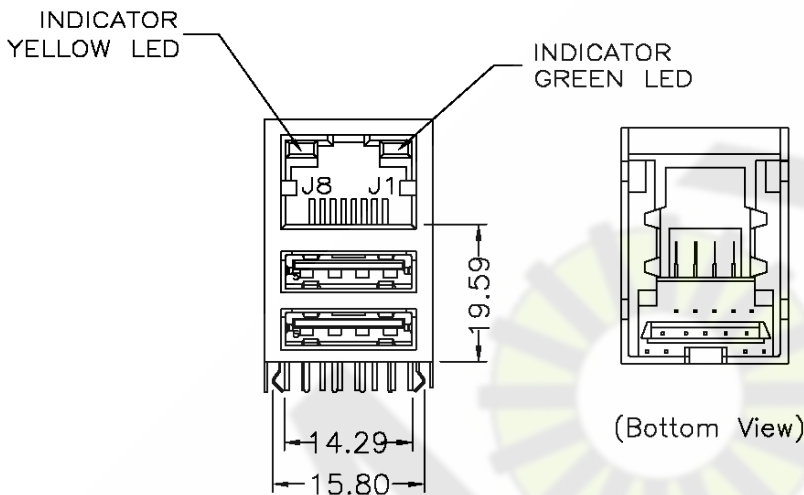
## SINGLE PORT RJ45 10/100/1000 BASE-TX JACK/DUAL USB COMBO

### Features:

- Low Cost.
- RoHS Compliant.
- Integrated magnetics.
- LAN interface suitable for 10/100/1000 Base-TX applications.
- RJ45/USB stacked design to save PCB space.
- USB module complies with USB 2.0 standards.
- CAT FAST Ethernet industry performance standards.
- Meets or exceeds IEEE 802.3 & ANSI X 3.263 standards including 350uH min OCL with 8mA bias.



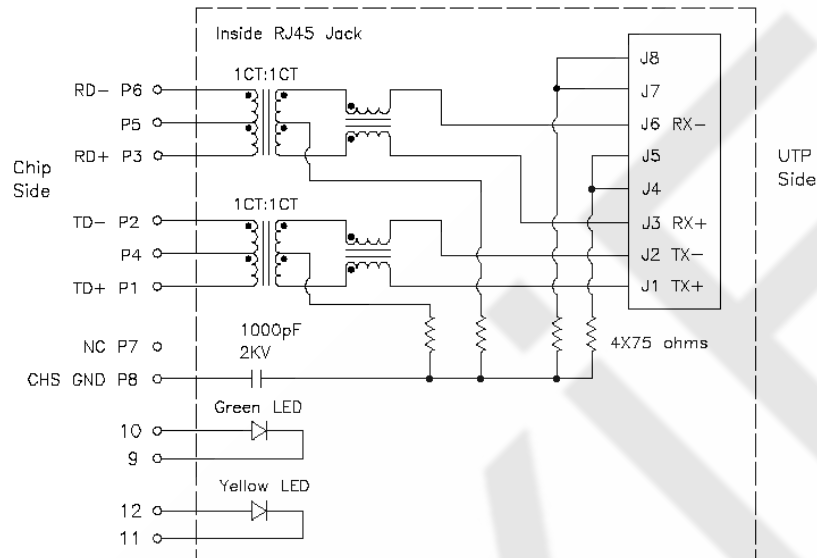
## MECHANICAL DIMENSIONS



# MOX-RJ45-USB1A



## SCHEMATIC



Notes: Connect CHS GND to PCB Ground



## ELECTRICAL SPECIFICATIONS @ 25°C

- RoHS Compliant.
- Isolation: 1500Vrms (UTP side to chip side)
- OCL: 350uH minimum @ 100 KHz 100mV with 8mADC.
- Insertion Loss: -1.0dB maximum @ 300KHz ~ 100MHz.
- Return Loss:
  - 20dB minimum @ 1MHz ~ 10MHz.
  - 16dB minimum @ 10MHz ~ 30MHz.
  - 12dB minimum @ 30MHz ~ 60MHz.
  - 10dB minimum @ 60MHz ~ 80MHz.
- Common Mode Rejection:
  - 30dB minimum @ 1MHz ~ 50MHz.
  - 20dB minimum @ 50MHz ~ 150MHz.
- Crosstalk:
  - 40dB minimum @ 1MHz ~ 30MHz.
  - 35dB minimum @ 30MHz ~ 60MHz.
  - 30dB minimum @ 60MHz ~ 100MHz.

Unless otherwise specified, MoxiE tolerances are  $\pm 0.25$   
MoxiE Inductor Corporation specifications are subject to change without notification.