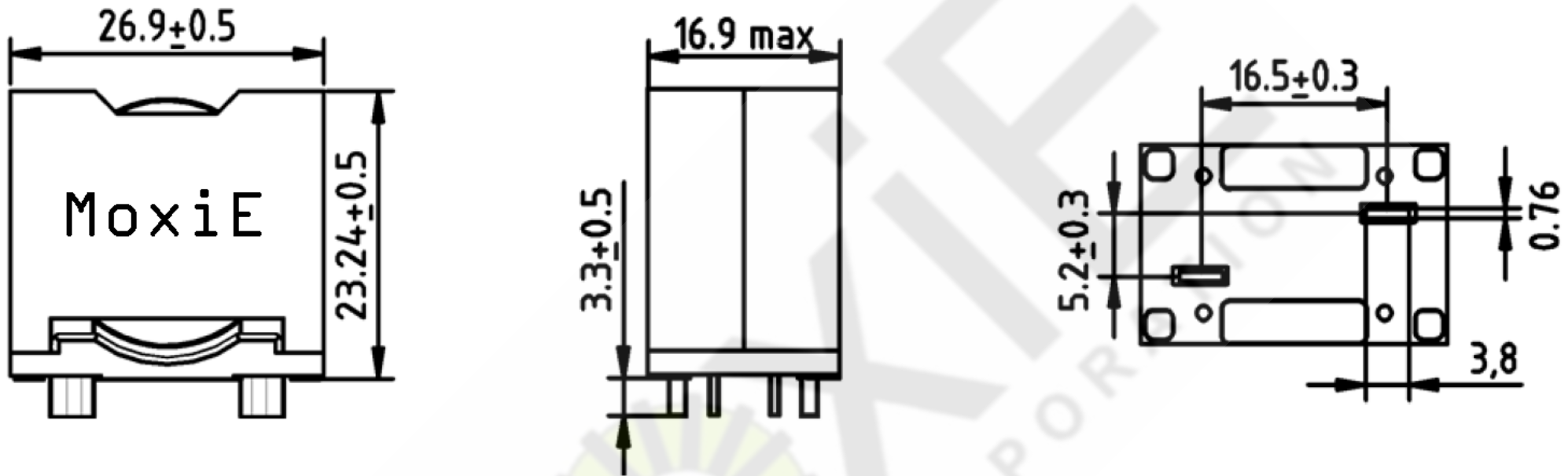


MECHANICAL (mm)



MOXIE NOTES:

The following MoxiE Inductor Corporation Specification shall be considered Confidential in nature. Each person or persons in receipt of this specification shall not disclose any confidential information in whole or in part without written authorization from MoxiE Inductor Corporation.

- Measurement frequency for Inductance : 100KHz/1.0V.
- DCR measured on 502BC ohm-meter.
- The saturation current : Value of inductance decrease within 30%.
- Temperature rise current : A rise in temperature of core surface is 40°C.
- Magnetically shielded construction.
- Flat wire winding allows low DC resistance.
- Operating temperature: -40°C to +125°C.
- Storage temperature: -40°C to +85°C.
- Packaging: Tray (40 pieces per tray)
- RoHS Compliant.
- MoxiE Inductor Corporation custom designs are subject to United States copyright and or patent protection(s).

MoxiE
INDUCTOR CORPORATION

(888)535.5207 WWW.MOXIEINDUCTORS.COM

FLAT WIRE HIGH CURRENT INDUCTORS

MOXIE HCPI-2623 SERIES

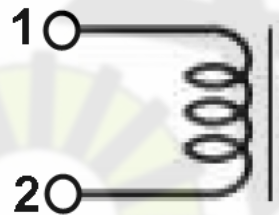
PAGE 1/2

REV. A

DWG : MOXHCP12623

ELECTRICAL

MOXIE PART NUMBER	INDUCTANCE (μ H)	TOLERANCE	DCR(m Ω) NOM / MAX	ISAT (A) DROP \leq 30%	IRMS (A) RISE \leq 40°C
MOX-HCPI-2623-3R3M	3.30	\pm 20%	2.30 / 2.60	105.00	26.00
MOX-HCPI-2623-4R7M	4.70	\pm 20%	2.30 / 2.60	70.00	26.00
MOX-HCPI-2623-6R8M	6.80	\pm 20%	2.30 / 2.60	54.00	26.00
MOX-HCPI-2623-100M	10.00	\pm 20%	2.30 / 2.60	35.00	26.00
MOX-HCPI-2623-150M	15.00	\pm 20%	2.30 / 2.60	23.50	26.00
MOX-HCPI-2623-220M	22.00	\pm 20%	2.30 / 2.60	14.80	26.00
MOX-HCPI-2623-330M	33.00	\pm 20%	2.30 / 2.60	9.45	26.00



SCHEMATIC

MOXIE NOTES:

The following MoxiE Inductor Corporation Specification shall be considered Confidential in nature. Each person or persons in receipt of this specification shall not disclose any confidential information in whole or in part without written authorization from MoxiE Inductor Corporation.

- Measurement frequency for Inductance : 100KHz/1.0V.
- DCR measured on 502BC ohm-meter.
- The saturation current : Value of inductance decrease within 30%.
- Temperature rise current : A rise in temperature of core surface is 40°C.
- Magnetically shielded construction.
- Flat wire winding allows low DC resistance.
- Operating temperature: -40°C to +125°C.
- Storage temperature: -40°C to +85°C.
- Packaging: Tray (40 pieces per tray)
- RoHS Compliant.
- MoxiE Inductor Corporation custom designs are subject to United States copyright and or patent protection(s).



(888)535.5207 WWW.MOXIEINDUCTORS.COM

FLAT WIRE HIGH CURRENT INDUCTORS

MOXIE HCPI-2623 SERIES

PAGE 2/2

REV. A

DWG : MOXHCP12623