

MOX-0805LS

MoxiE
INDUCTOR CORPORATION



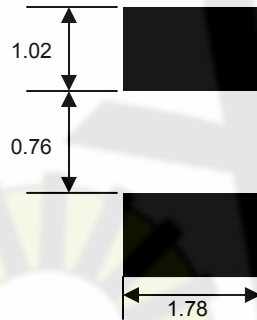
High Current Surface Mount Wire Wound Chip Inductors

MoxiE's MOX-0805LS series of surface mount chip inductors are widely used in PDA's, notebooks, LCD televisions and cable modems. The wire wound design features a higher self resonate frequency and a better Q factor that provides stable performance. A precision tolerance of 5% is available.

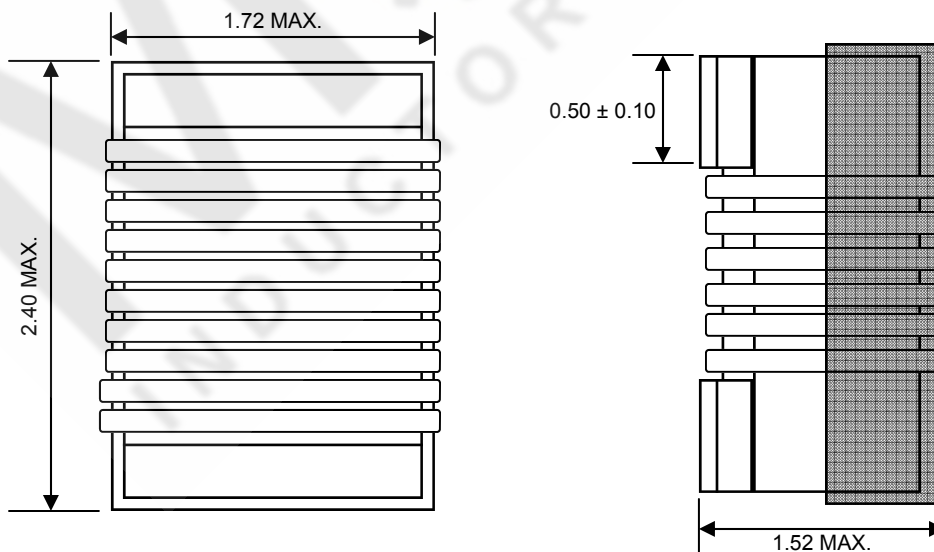
Features:

- Low cost.
- Operating temperature: -25°C to +85°C.
- Excellent solderability & resistance to soldering heat.
- RoHS compliant.

LANDING PATTERN



MECHANICAL DIMENSIONS



1



ELECTRICAL SPECIFICATIONS

MoxiE Part Number	Inductance	L/Q Test Freq.	Q	SRF	RDC	IDC	Tolerance	Color Code	
	(μ H)	(MHz)	Typ.	(MHz)	(Ω)Max.	(mA)	(\pm %)	1st	
MOX-0805LS-78N□	0.078	7.9/7.9	19	1440	0.06	2000	5,10	BLK	
MOX-0805LS-90N□	0.09	7.9/7.9	19	1200	0.07	2000	10	RED	
MOX-0805LS-R11□	0.11	7.9/7.9	19	1200	0.07	2000	5,10	BRN	
MOX-0805LS-R47□	0.47	7.9/7.9	19	480	0.4	800	5,10	RED	
MOX-0805LS-R68□	0.68	7.9/7.9	20	480	0.4	800	5,10	ORN	
MOX-0805LS-1R0□	1	7.9/7.9	20	400	0.69	700	5,10	YEL	
MOX-0805LS-1R2□	1.2	7.9/7.9	20	330	0.83	700	5,10	RED	
MOX-0805LS-1R5□	1.5	7.9/7.9	20	330	0.83	700	5,10	GRN	
MOX-0805LS-1R8□	1.8	7.9/7.9	20	300	1	650	5,10	BLU	
MOX-0805LS-2R2□	2.2	7.9/7.9	20	250	1.1	650	5,10	VIO	
MOX-0805LS-2R7□	2.7	7.9/7.9	23	200	1.25	650	5,10	GRY	
MOX-0805LS-3R3□	3.3	7.9/7.9	23	160	1.45	650	5,10	WHT	
MOX-0805LS-3R9□	3.9	7.9/7.9	23	90	1.5	600	5,10	BLK	
MOX-0805LS-4R7□	4.7	7.9/7.9	20	70	1.6	530	5,10	BRN	
MOX-0805LS-5R6□	5.6	7.9/7.9	20	65	1.7	500	5,10	RED	
MOX-0805LS-6R8□	6.8	7.9/7.9	20	45	1.95	470	5,10	ORN	
MOX-0805LS-8R2□	8.2	2.5/2.5	16	45	2.1	450	5,10	YEL	
MOX-0805LS-100□	10	2.5/2.5	16	40	2.4	400	5,10	GRN	
MOX-0805LS-120□	12	2.5/2.5	16	38	3.2	360	5,10	RED	
MOX-0805LS-150□	15	2.5/2.5	16	35	3.55	350	5,10	BLU	
MOX-0805LS-180□	18	2.5/2.5	16	25	4.9	300	5,10	ORN	
MOX-0805LS-220□	22	2.5/2.5	16	20	5.45	270	5,10	VIO	
MOX-0805LS-270□	27	2.5/2.5	16	19	7.8	240	5,10	GRY	
MOX-0805LS-470□	47	2.5/2.5	16	15	14.5	180	5,10	BRN	



MOX-0805LS ENGINEERING NOTES

- Available tolerances: J= \pm 5%, K= \pm 10%
- L/Q Test OSC @ 200mV.
- IDC for inductance drop 10% from its value without current.
- Q is measured on a HP-4287A RF LCR meter with a HP-16193 fixture attached.
- MoxiE Inductor Corporation specifications are subject to change without notice.