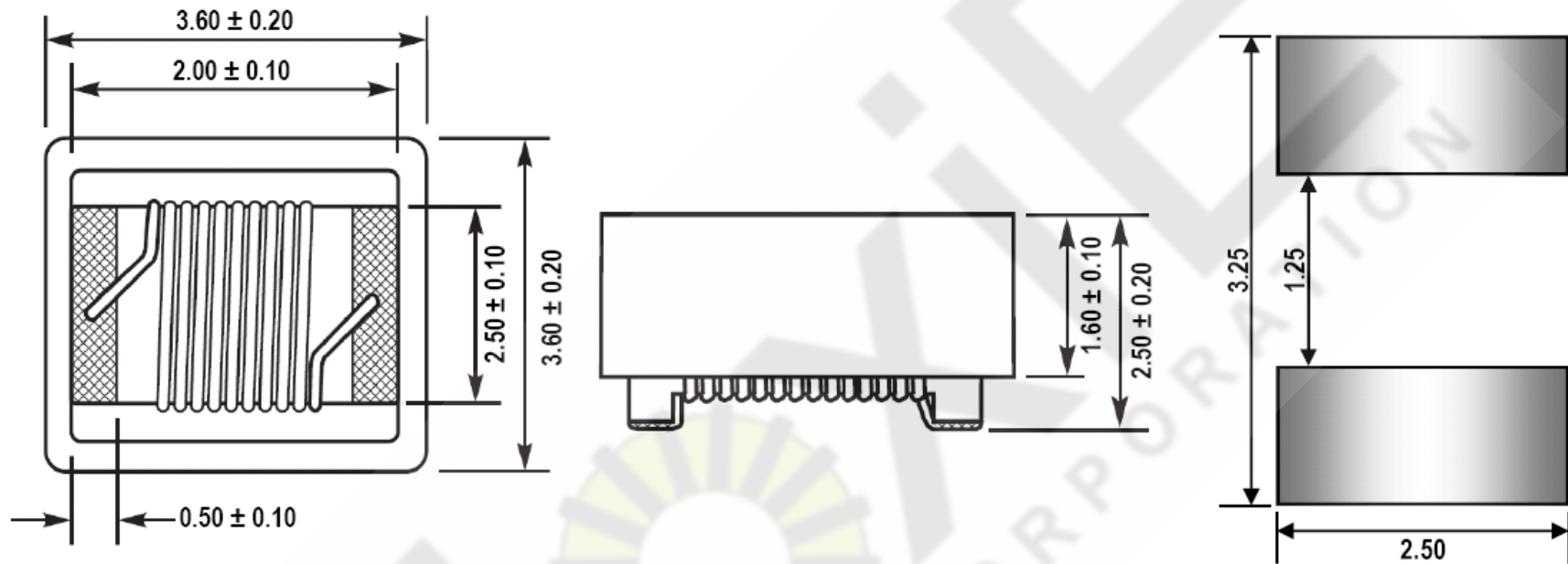


MECHANICAL



MOXIE NOTES:

- SOLDER REFLOW: +230°C FOR 50 SECONDS MAXIMUM.
- RESISTANCE TO SOLDERING HEAT: +265°C FOR SIX SECONDS MAXIMUM.
- PACKAGING: TAPE & REEL.
- RoHS COMPLIANT.
- OPERATING TEMPERATURE -40°C TO +85°C.
- STORAGE TEMPERATURE -40°C TO +125°C.
- MOXIE INDUCTOR CORPORATION SPECIFICATIONS ARE SUBJECT TO CHANGE WITHOUT NOTICE.
- MOXIE INDUCTOR CORPORATION CUSTOM DESIGNS ARE SUBJECT TO UNITED STATES COPYRIGHT AND OR PATENT PROTECTIONS.

MoxiE
INDUCTOR CORPORATION

(888)535.5207 WWW.MOXIEINDUCTORS.COM

SURFACE MOUNT HIGH POWER INDUCTORS

MOX-1008P SERIES

PAGE 1/2

REV. -

DWG NUMBER: MOX1008P

ELECTRICAL @ 25C

MOXIE PART NUMBER	INDUCTANCE (μH)	PERCENT TOLERANCE (M=±20%)	Q MINIMUM	SRF (MHz) MINIMUM	RDC (Ω) MAXIMUM	IDC (mA) MAXIMUM
MOX-1008P-1R0M	1.0 @ 100 KHZ	M	35 @ 1 MHZ	344	0.05	1000
MOX-1008P-1R5M	1.5 @ 100 KHZ	M	35 @ 1 MHZ	260	0.06	800
MOX-1008P-1R8M	1.8 @ 100 KHZ	M	35 @ 1 MHZ	225	0.09	680
MOX-1008P-2R7M	2.7 @ 100 KHZ	M	38 @ 1 MHZ	185	0.14	650
MOX-1008P-3R9M	3.9 @ 100 KHZ	M	38 @ 1 MHZ	175	0.26	650
MOX-1008P-4R7M	4.7 @ 100 KHZ	M	38 @ 1 MHZ	160	0.35	500
MOX-1008P-5R6M	5.6 @ 100 KHZ	M	38 @ 1 MHZ	150	0.40	450
MOX-1008P-6R8M	6.8 @ 100 KHZ	M	38 @ 1 MHZ	120	0.60	400
MOX-1008P-100M	10 @ 100 KHZ	M	38 @ 1 MHZ	100	0.95	250
MOX-1008P-150M	15 @ 100 KHZ	M	38 @ 1 MHZ	35	1.15	220
MOX-1008P-220M	22 @ 100 KHZ	M	40 @ 1 MHZ	26	1.40	180
MOX-1008P-330M	33 @ 100 KHZ	M	45 @ 1 MHZ	20	1.60	150
MOX-1008P-390M	39 @ 100 KHZ	M	45 @ 1 MHZ	14	1.85	130
MOX-1008P-470M	47 @ 100 KHZ	M	45 @ 1 MHZ	14	2.50	110
MOX-1008P-680M	68 @ 100 KHZ	M	45 @ 1 MHZ	12	3.80	100
MOX-1008P-820M	82 @ 100 KHZ	M	45 @ 1 MHZ	9.0	4.20	100
MOX-1008P-101M	100 @ 100 KHZ	M	45 @ 1 MHZ	7.0	5.80	80
MOX-1008P-121M	120 @ 100 KHZ	M	45 @ 1 MHZ	6.0	6.20	60
MOX-1008P-151M	150 @ 100 KHZ	M	40 @ 1 MHZ	5.6	7.50	50
MOX-1008P-221M	220 @ 100 KHZ	M	40 @ 1 MHZ	4.0	10.00	50
MOX-1008P-331M	330 @ 100 KHZ	M	40 @ 1 MHZ	3.8	11.50	50
MOX-1008P-471M	470 @ 100 KHZ	M	35 @ 1 MHZ	2.0	16.50	50
MOX-1008P-561M	560 @ 100 KHZ	M	35 @ 1 MHZ	2.0	18.00	30
MOX-1008P-681M	680 @ 100 KHZ	M	30 @ 1 MHZ	1.8	24.00	30
MOX-1008P-821M	820 @ 100 KHZ	M	30 @ 1 MHZ	1.5	26.00	30
MOX-1008P-102M	1000 @ 100 KHZ	M	30 @ 1 MHZ	1.3	30.00	30

MOXIE ELECTRICAL NOTES:

- Inductance is measured on a HP-4285-A precision LCR meter.
- Q is measured on a HP-16193 fixture.
- SRF is measured on a HP-8753E RF network analyzer.
- Standard operating temperature -40°C to +85°C.
- Packaging: tape & reel. (750 pieces per reel)
- MoxiE Inductor Corporation specifications are subject to change without notice.

MoxiE
INDUCTOR CORPORATION

(888)535.5207 WWW.MOXIEINDUCTORS.COM

SURFACE MOUNT HIGH POWER INDUCTORS

MOX-1008P SERIES

PAGE 2/2

REV. -

DWG NUMBER: MOX1008P