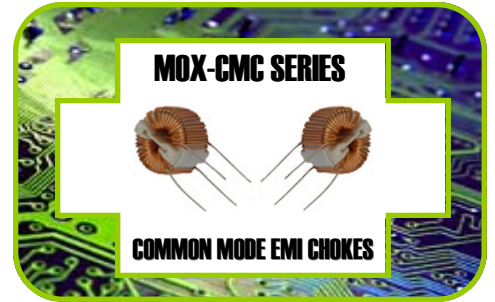


MOX-CMC SERIES

COMMON MODE EMI CHOKES

MoxiE
INDUCTOR CORPORATION



- **LOW COST.**
- **HIGH CURRENT CAPACITY.**
- **DIELECTRIC STRENGTH: 3750 V_{RMS}.**
- **LOW CORE LOSS.**
- **COIL WOUND ON VW-1 RATED PLASTIC CASED FERRITE CORE.**
- **HIGH IMPEDANCE AT LOW FREQUENCY.**
- **OPERATING TEMPERATURE: -55°C TO +125°C.**
- **MOXIE INDUCTOR CORPORATION CUSTOM DESIGNS AVAILABLE.**

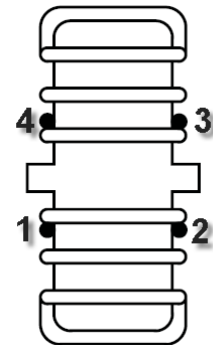
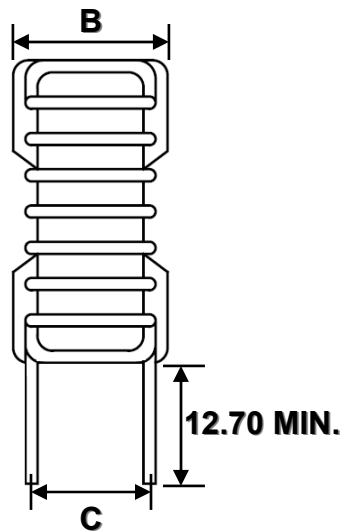
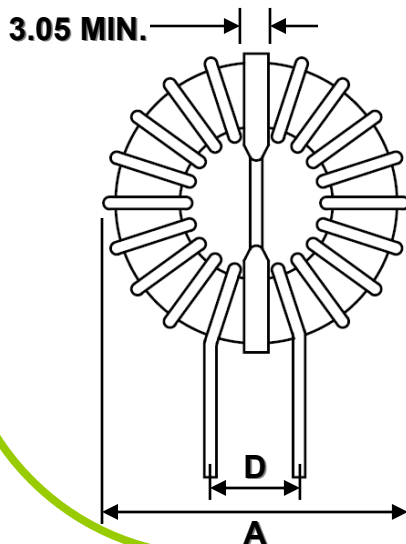


DIMENSIONS (mm)

MoxiE Part Number	A (MAX.)	B (MAX.)	C (NOM.)	D (NOM.)
MOX-CMC-1511	15.25	11.43	10.16	5.08
MOX-CMC-2014	20.32	13.97	12.70	7.62
MOX-CMC-3020	30.48	20.32	17.78	10.16



MECHANICAL

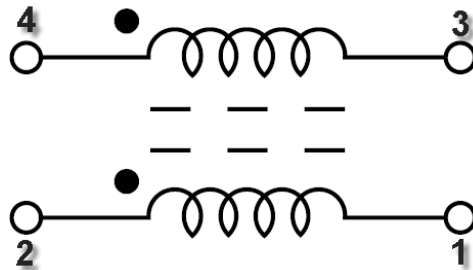


MOX-CMC SERIES

COMMON MODE EMI CHOKES



SCHEMATICS



ELECTRICAL SPECIFICATIONS

MoxiE Part Number	Inductance (mH) @ 1KHz	IDC (A) MAX.	DCR (Ω) MAX.	Wire Diameter (Φ) mm
MOX-CMC-1511-R51-1	0.51	1.0	0.040	0.41
MOX-CMC-1511-R85-1	0.85	1.0	0.060	0.41
MOX-CMC-1511-1R7-1	1.70	1.0	0.070	0.41
MOX-CMC-1511-2R5-1	2.55	1.0	0.100	0.41
MOX-CMC-1511-4R2-1	4.25	1.0	0.125	0.41
MOX-CMC-1511-R51-2	0.51	2.0	0.030	0.51
MOX-CMC-1511-R85-2	0.85	2.0	0.040	0.51
MOX-CMC-1511-1R7-2	1.70	2.0	0.060	0.51
MOX-CMC-1511-2R5-2	2.55	2.0	0.075	0.51
MOX-CMC-1511-R51-3	0.51	3.0	0.020	0.58
MOX-CMC-1511-R85-3	0.85	3.0	0.030	0.58
MOX-CMC-2041-R85-2	0.85	2.0	0.050	0.58
MOX-CMC-2041-1R7-2	1.70	2.0	0.075	0.58
MOX-CMC-2041-2R5-2	2.55	2.0	0.085	0.58
MOX-CMC-2041-4R2-2	4.25	2.0	0.110	0.58
MOX-CMC-2041-6R8-2	6.80	2.0	0.200	0.58
MOX-CMC-2041-R85-5	0.85	5.0	0.035	0.58
MOX-CMC-3020-1R7-5	1.70	5.0	0.040	0.76
MOX-CMC-3020-4R2-4	4.25	4.0	0.046	0.76
MOX-CMC-3020-6R8-4	6.80	4.0	0.060	0.76
MOX-CMC-3020-42R-2	42.5	2.0	0.200	0.58
MOX-CMC-3020-25R-4	25.5	4.0	0.130	0.76
MOX-CMC-3020-9R3-5	9.35	5.0	0.072	0.91
MOX-CMC-3020-2R5-10	2.55	10	0.020	1.17