

# MOX-CMC2 SERIES

**MoxiE**  
INDUCTOR CORPORATION

## COMMON MODE EMI CHOKES

- **LOW COST.**
- **RoHS COMPLIANT.**
- **HIGH CURRENT CAPACITY.**
- **DIELECTRIC STRENGTH: 3750 V<sub>RMS</sub>.**
- **LOW CORE LOSS.**
- **COIL WOUND ON VW-1 RATED PLASTIC CASED FERRITE CORE.**
- **HIGH IMPEDANCE AT LOW FREQUENCY.**
- **OPERATING TEMPERATURE: -55°C TO +125°C.**
- **MOXIE INDUCTOR CORPORATION CUSTOM DESIGNS AVAILABLE.**




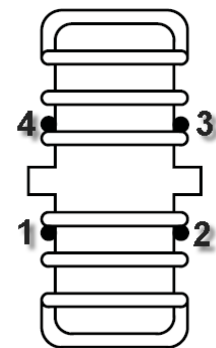
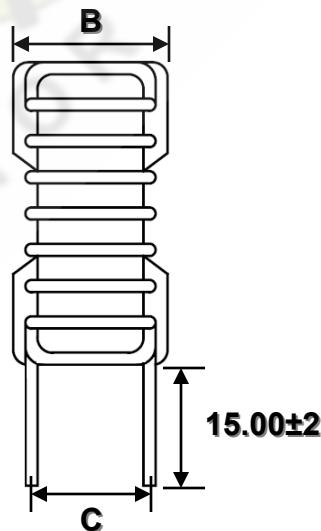
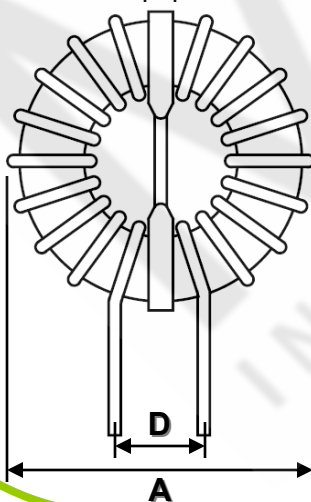
## DIMENSIONS (mm)

MoxiE Part Number	A (MAX.)	B (MAX.)	C (NOM.)	D (NOM.)
MOX-CMC2	17.50	15.00	13.00	8.00



## MECHANICAL

3.05 MIN. 

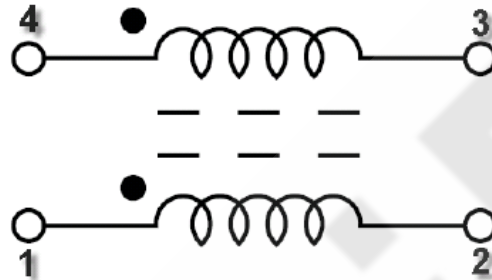


# MOX-CMC2 SERIES

COMMON MODE EMI CHOKES



## SCHEMATICS



## ELECTRICAL SPECIFICATIONS

MoxiE Part Number	Inductance $\pm 15\%$ (mH) @ 1KHz	IDC (A) MAX.	DCR (m $\Omega$ /line) MAX.	Wire Diameter ( $\Phi$ ) mm
MOX-CMC2-601-1	0.60	1.00	60.0	0.40
MOX-CMC2-102-1	1.00	1.00	70.0	0.40
MOX-CMC2-202-1	2.00	1.00	100.0	0.40
MOX-CMC2-302-1	3.00	1.00	120.0	0.40
MOX-CMC2-502-1	5.00	1.00	150.0	0.40
MOX-CMC2-702-1	7.00	1.00	200.0	0.40
MOX-CMC2-601-2	0.60	2.00	50.0	0.50
MOX-CMC2-102-2	1.00	2.00	60.0	0.50
MOX-CMC2-202-2	2.00	2.00	70.0	0.50
MOX-CMC2-302-2	3.00	2.00	85.0	0.45
MOX-CMC2-502-2	5.00	2.00	95.0	0.45
MOX-CMC2-601-3	0.60	3.00	30.0	0.60
MOX-CMC2-102-3	1.00	3.00	35.0	0.60

### MOXIE NOTES:

- INDUCTANCE MEASURED AT 1KHz ON A HP-4263B.
- RoHS COMPLIANT.
- OPERATING TEMPERATURE: -55°C TO +125°C.
- MOXIE INDUCTOR CORPORATION CUSTOM DESIGNS AVAILABLE.
- MOXIE INDUCTOR CUSTOM DESIGNS ARE SUBJECT TO UNITED STATES COPYRIGHT AND OR UNITED STATES PATENT PROTECTION(S).