

# MOX-CMCS-0402S SERIES

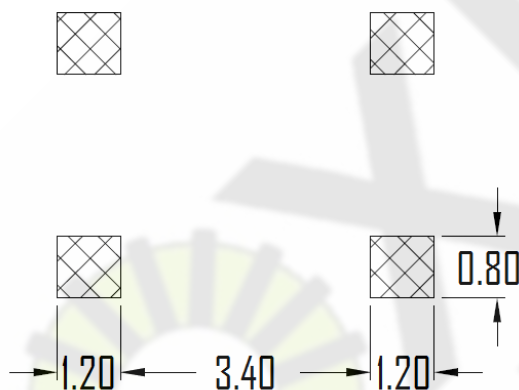
**MoxiE**<sup>®</sup>  
INDUCTOR CORPORATION

## Surface Mount Common Mode Chokes

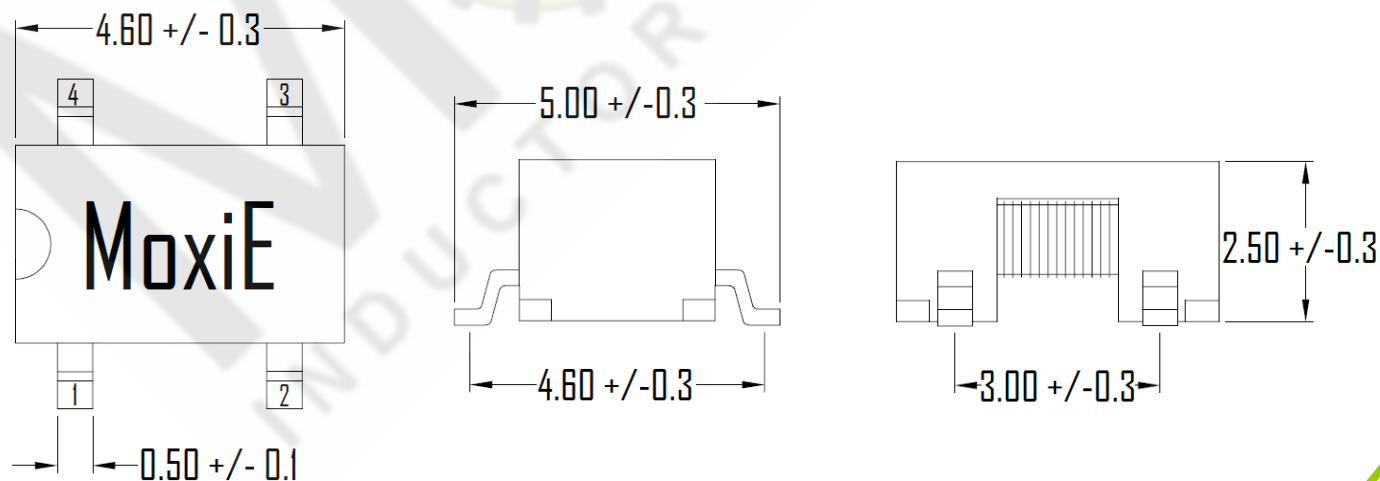
- Low cost.
- Industrial operating temperature: -40°C to +85°C.
- Low profile surface mount design.
- Packaging: Tape & Reel (2000 pieces per reel).
- RoHS compliant.
- MoxiE custom designs available.



## PCB PATTERN



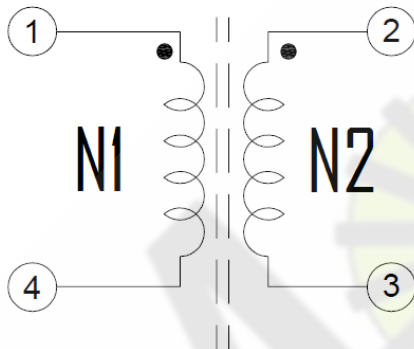
## MECHANICAL DIMENSIONS



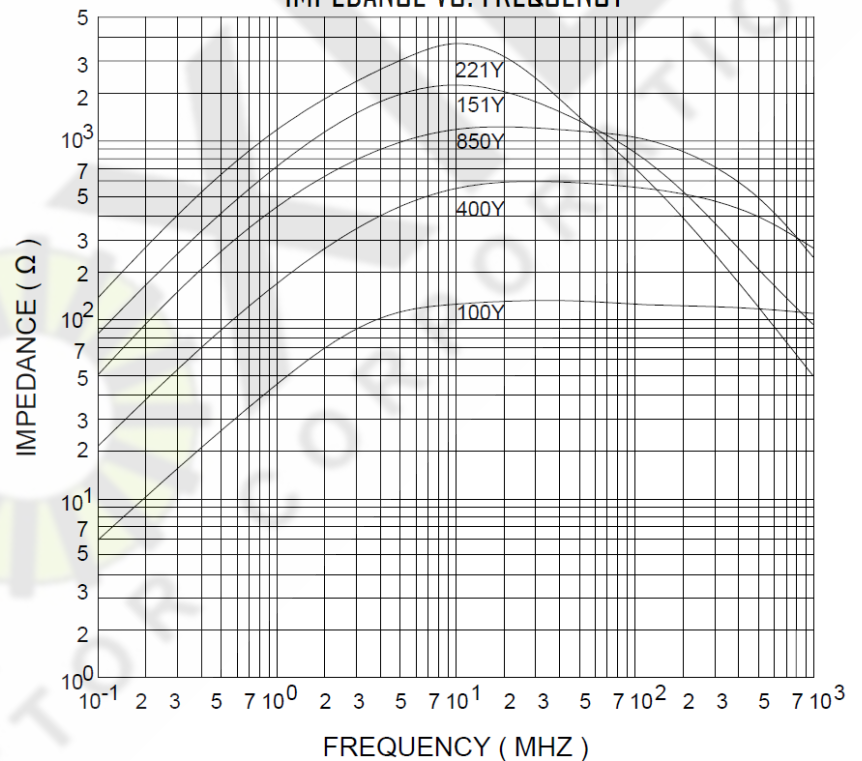


## ELECTRICAL SPECIFICATIONS

MoxiE Part Number	Inductance L1 , L2 (μH)	DC Resistance N1 , N2 (Ω)	Rated Current (A)	Impedance (Ω)	Frequency Range (MHz)
MOX-CMCS-0402S-100Y	10.00±40%	0.040 Max.	1.45	80 Min.	10~1000
MOX-CMCS-0402S-400Y	40.00±40%	0.070 Max.	1.28	250 Min.	5~500
MOX-CMCS-0402S-850Y	85.00±40%	0.130 Max.	0.92	400 Min.	3~300
MOX-CMCS-0402S-151Y	150.00±40%	0.220 Max.	0.55	600 Min.	2~100
MOX-CMCS-0402S-221Y	220.00±40%	0.420 Max.	0.47	800 Min.	1~50



IMPEDANCE VS. FREQUENCY



**MoxiE Notes:**

- Temperature rise: 45°C maximum at rated current.
- Storage temperature: -40°C to +125°C.
- Operating temperature: -40°C to +85°C.
- Resistance to soldering heat: +260°C for ten (10) seconds.
- Hi-Pot test: (N1~N2) : 500VAC 60Hz 3mA @ one (1) minute.
- RoHS compliant.
- MoxiE Inductor Corporation specifications are subject to change without notice.
- MoxiE Inductor Corporation customer designs available~contact your MoxiE sales representative for details.
- MoxiE Inductor Corporation custom products are subject to United States Copyright and or Patent protection(s).