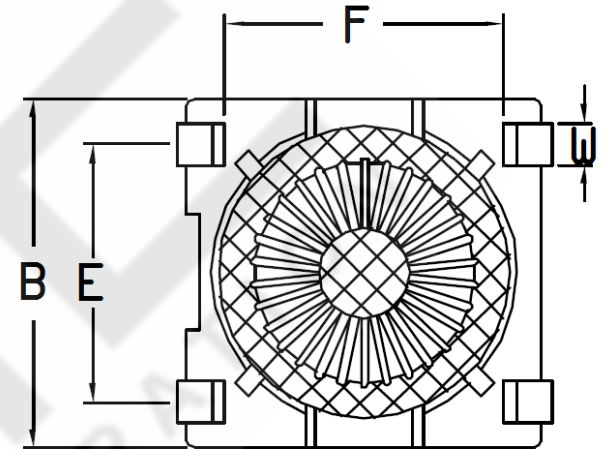
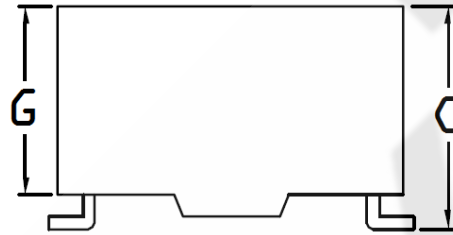
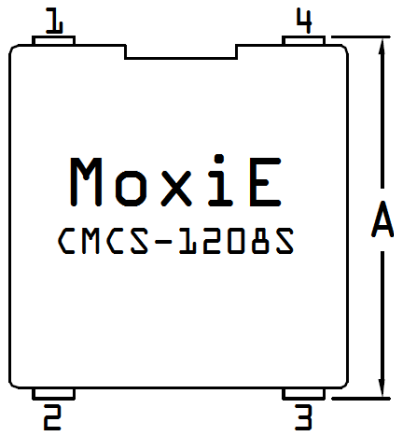


# MECHANICAL (mm)



A	B	C	E	F	G	W
8.80±0.50	8.50±0.50	5.50±0.50	6.22±0.50	6.45±0.50	4.70±0.50	1.00 TYP.

## MOXIE NOTES:

The following MoxiE Inductor Corporation Specification shall be considered Confidential in nature. Each person or persons in receipt of this specification shall not disclose any confidential information in whole or in part without written authorization from MoxiE Inductor Corporation.

- TEST VOLTAGE BETWEEN L1 & L2 WINDING: 0.1V, 500VAC, 1 MIN.
- OPERATING TEMPERATURE: -40°C TO +125°C.
- STORAGE TEMPERATURE: -40°C TO +125°C.
- TEST EQUIPMENT: INDUCTANCE (HP4294A, 0.1V/100KHZ)
- HI-POT: (N1-N2) 500VAC/60HZ, 3mA/5S (50KHZ/1V)
- TURNS RATIO: N1:N2=±3%
- ELECTRICAL SPECIFICATIONS AT +25°C.
- TEMPERATURE RISE: +45°C MAXIMUM AT RATED CURRENT.
- RESISTANCE TO SOLDER HEAT: +260°C FOR TEN (10) SECONDS.
- RoHS COMPLIANT.
- PACKAGING: TAPE & REEL (600 PIECES PER REEL).
- MARKING: INDUCTANCE.
- MOXIE INDUCTOR CORPORATION SPECIFICATIONS SUBJECT TO CHANGE WITHOUT NOTICE.
- Tolerances unless otherwise specified: 0-10=±0.15, 10-20=±0.20, 20-40=±0.25, 40-70=±0.30, ≥70=±0.40

**MoxiE**  
INDUCTOR CORPORATION

(888)535-5207 WWW.MOXIEINDUCTORS.COM

SMD COMMON MODE CHOKE

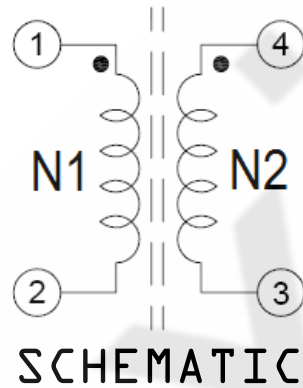
MOX-CMCS-1208S SERIES

PAGE 1/4

REV. B

DWG NUMBER: MOXCMCS1208S

# SCHEMATIC



## MOXIE NOTES:

The following Moxie Inductor Corporation Specification shall be considered Confidential in nature. Each person or persons in receipt of this specification shall not disclose any confidential information in whole or in part without written authorization from Moxie Inductor Corporation.

- TEST VOLTAGE BETWEEN L1 & L2 WINDING: 0.1V, 500VAC, 1 MIN.
- OPERATING TEMPERATURE: -40°C TO +125°C.
- STORAGE TEMPERATURE: -40°C TO +125°C.
- TEST EQUIPMENT: INDUCTANCE (HP4294A, 0.1V/100KHZ)
- HI-POT: (N1-N2) 500VAC/60HZ, 3mA/5S (50KHZ/1V)
- TURNS RATIO: N1:N2=±3%
- ELECTRICAL SPECIFICATIONS AT +25°C.
- TEMPERATURE RISE: +45°C MAXIMUM AT RATED CURRENT.
- RESISTANCE TO SOLDER HEAT: +260°C FOR TEN (10) SECONDS.
- RoHS COMPLIANT.
- PACKAGING: TAPE & REEL (600 PIECES PER REEL).
- MARKING: INDUCTANCE.
- MOXIE INDUCTOR CORPORATION SPECIFICATIONS SUBJECT TO CHANGE WITHOUT NOTICE.
- Tolerances unless otherwise specified: 0-10=±0.15, 10-20=±0.20, 20-40=±0.25, 40-70=±0.30, >70=±0.40

**MoxiE**  
INDUCTOR CORPORATION

(888)535-5207 WWW.MOXIEINDUCTORS.COM

SMD COMMON MODE CHOKE

MOX-CMCS-1208S SERIES

PAGE 2/4

REV. B

DWG NUMBER: MOXCMCS1208S

# ELECTRICAL

MoxiE Part Number	Inductance ( $\mu$ H) (L1-L2)	Tolerance ( $\pm$ )	DCR ( $\Omega$ Max.) (N1-N2)	Rated Current (A)	Impedance ( $\Omega$ ) Min.	Frequency Range (MHz)
MOX-CMCS-1208S-121R	120.0	40%	0.025	1.45	200.0	10-200
MOX-CMCS-1208S-251R	250.0	40%	0.030	1.30	400.0	5-100
MOX-CMCS-1208S-501R	500.0	40%	0.060	0.95	800.0	2-50
MOX-CMCS-1208S-102R	1000.0	40%	0.180	0.55	1400.0	1-40
MOX-CMCS-1208S-202R	2000.0	40%	0.250	0.50	2000.0	0.5-15
MOX-CMCS-1208S-302R	3000.0	40%	0.300	0.45	3000.0	0.5-15
MOX-CMCS-1208S-402R	4000.0	40%	0.580	0.35	4000.0	0.5-5
MOX-CMCS-1208S-502R	5000.0	40%	0.630	0.30	5000.0	0.5-3

## MOXIE NOTES:

The following MoxiE Inductor Corporation Specification shall be considered Confidential in nature. Each person or persons in receipt of this specification shall not disclose any confidential information in whole or in part without written authorization from MoxiE Inductor Corporation.

- TEST VOLTAGE BETWEEN L1 & L2 WINDING: 0.1V, 500VAC, 1 MIN.
- OPERATING TEMPERATURE: -40°C TO +125°C.
- STORAGE TEMPERATURE: -40°C TO +125°C.
- TEST EQUIPMENT: INDUCTANCE (HP4294A, 0.1V/100KHZ)
- HI-POT: (N1-N2) 500VAC/60HZ, 3mA/5S (50KHZ/1V)
- TURNS RATIO: N1:N2=±3%
- ELECTRICAL SPECIFICATIONS AT +25°C.
- TEMPERATURE RISE: +45°C MAXIMUM AT RATED CURRENT.
- RESISTANCE TO SOLDER HEAT: +260°C FOR TEN (10) SECONDS.
- RoHS COMPLIANT.
- PACKAGING: TAPE & REEL (600 PIECES PER REEL).
- MARKING: INDUCTANCE.
- MOXIE INDUCTOR CORPORATION SPECIFICATIONS SUBJECT TO CHANGE WITHOUT NOTICE.
- Tolerances unless otherwise specified: 0-10=±0.15, 10-20=±0.20, 20-40=±0.25, 40-70=±0.30, ≥70=±0.40

**MoxiE**  
INDUCTOR CORPORATION

(888)535-5207 WWW.MOXIEINDUCTORS.COM

SMD COMMON MODE CHOKE

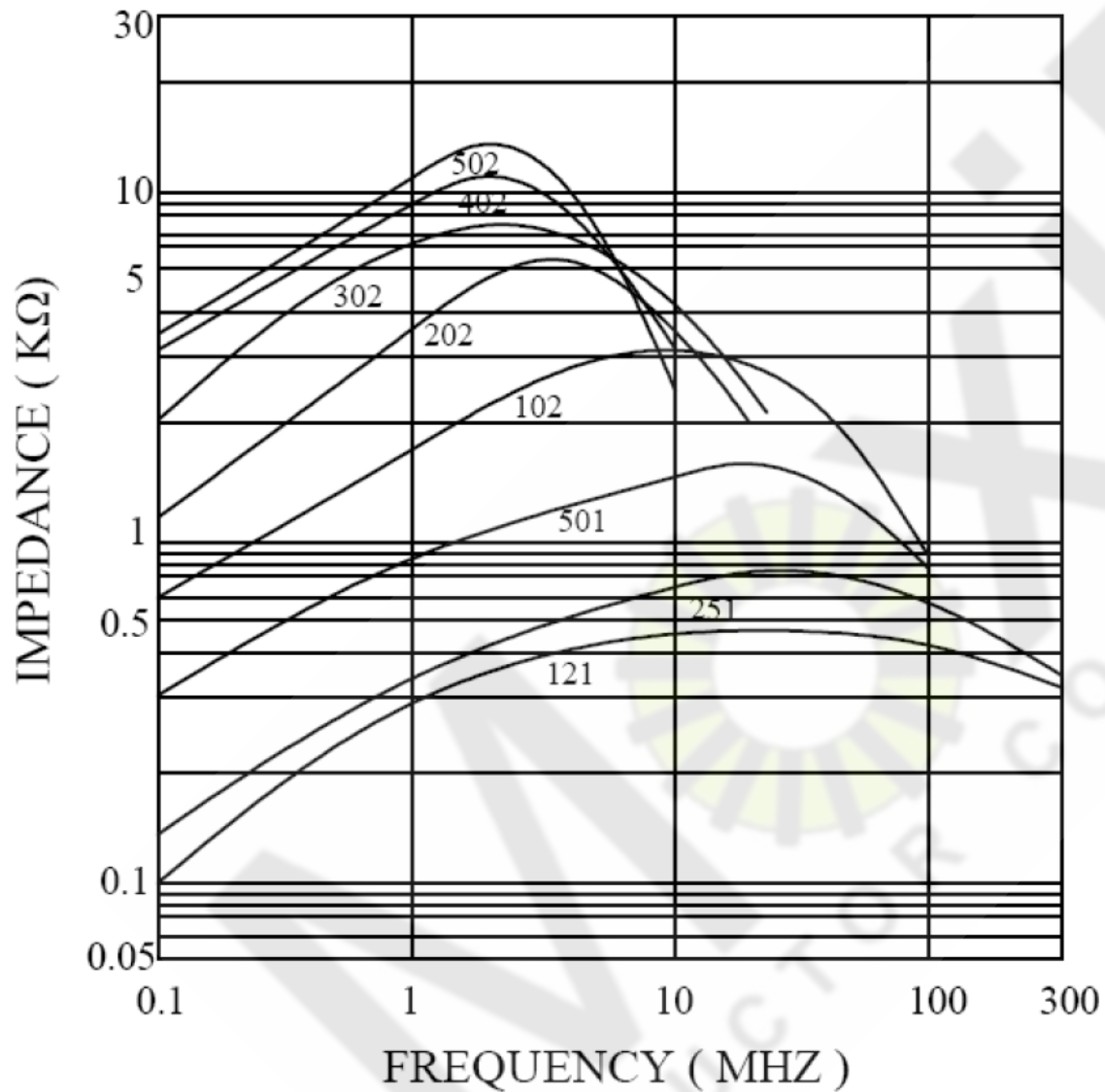
MOX-CMCS-1208S SERIES

PAGE 3/4

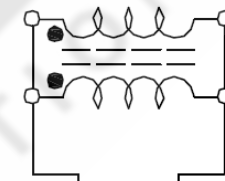
REV. B

DWG NUMBER: MOXCMCS1208S

# IMPEDANCE VS. FREQUENCY



MEASURING CIRCUIT:



RF IMPEDANCE ANALYZER

**MoxiE**  
 INDUCTOR CORPORATION  
 (888) 535-5207 WWW.MOXIEINDUCTORS.COM

SMD COMMON MODE CHOKE

MOX-CMCS-1208S SERIES