

MOX-MOX-CMCU SERIES

LEADED COMMON MODE CHOKES U-CORE DESIGN

MoxiE[®]
INDUCTOR CORPORATION

Features:

- Low cost.
- RoHS compliant.
- Available in 3 Amp, 5 Amp, 10 Amp, 15 Amp, 22 Amp & 35 Amp.
- Operating temperature :-55° to +130°C.
- Excellent attenuation characteristics at low frequencies.
- Compact size with large inductance range.
- Employs UL-recognized heat resistant insulation material.
- Excellent design to prevent noise emissions.
- MoxiE custom inductance values and tolerances available.

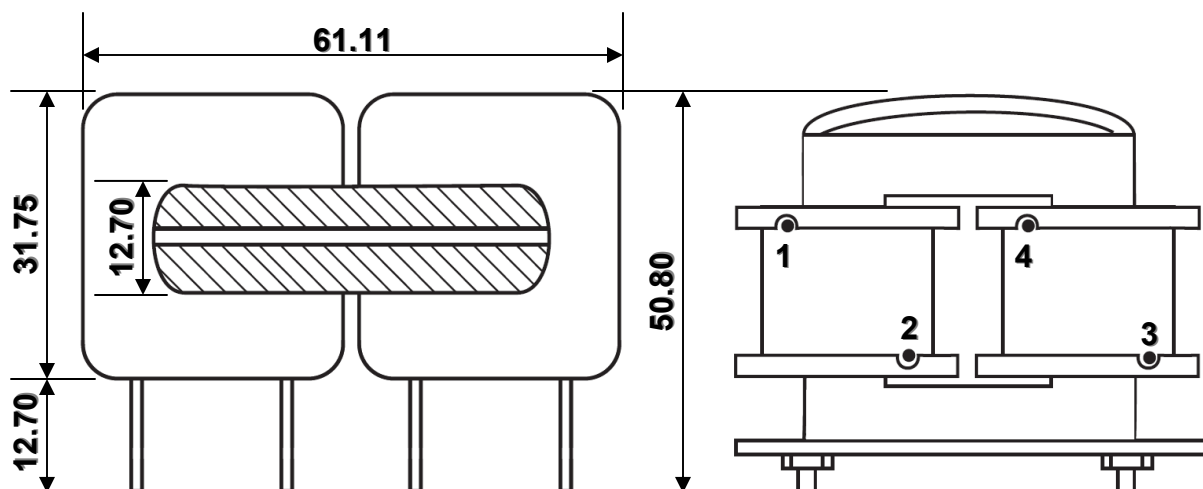


NOTES

- Windings balanced within 1% @ +80°C ambient, +40°C rise.
- 2500 VAC Hi-pot winding to winding.
- 2500 VAC Hi-pot winding to core.
- All specifications are measured at +20°C.
- Inductance values $\pm 25\%$ @ 1 KHz.
- MoxiE Inductor Corporation specifications are subject to change without notice.
- MoxiE Inductor Corporation custom designed products are subject to United States Copyright and or Patent protection(s).



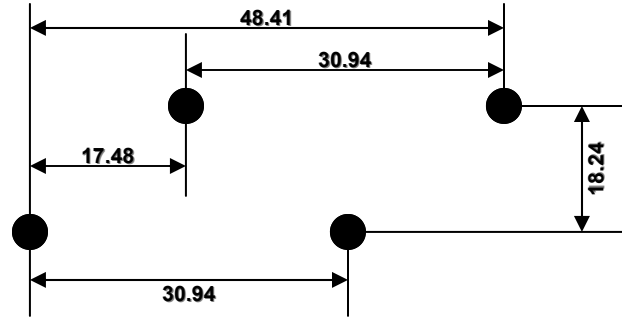
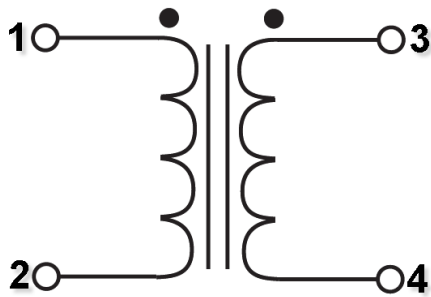
MECHANICAL DIMENSIONS (mm)



1



SCHEMATICS & HOLE PATTERN (mm)



ELECTRICAL SPECIFICATIONS

MoxiE Part Number	Suggested Rated Current (A)	L@1KHz (µH)	DCR Max. (Ω)	Leakage Inductance (µH) Max.
MOX-CMCU3-100	3.0	100	.033	20
MOX-CMCU3-150	3.0	150	.034	25
MOX-CMCU3-180	3.0	180	.035	28
MOX-CMCU3-220	3.0	220	.036	32
MOX-CMCU3-270	3.0	270	.037	37
MOX-CMCU3-330	3.0	330	.038	40
MOX-CMCU3-390	3.0	390	.039	45
MOX-CMCU3-470	3.0	470	.040	49
MOX-CMCU3-560	3.0	560	.041	50
MOX-CMCU3-680	3.0	680	.042	53
MOX-CMCU3-820	3.0	820	.044	66
MOX-CMCU3-1000	3.0	1000	.050	80
MOX-CMCU3-1200	3.0	1200	.055	93
MOX-CMCU3-1500	3.0	1500	.060	117
MOX-CMCU3-1800	3.0	1800	.066	150
MOX-CMCU3-2200	3.0	2200	.073	177
MOX-CMCU3-2700	3.0	2700	.083	220
MOX-CMCU3-3300	3.0	3300	.088	270
MOX-CMCU3-3900	3.0	3900	.100	320
MOX-CMCU3-4700	3.0	4700	.115	386
MOX-CMCU3-5600	3.0	5600	.121	462
MOX-CMCU3-6800	3.0	6800	.133	510
MOX-CMCU3-8200	3.0	8200	.144	688
MOX-CMCU3-10000	3.0	10000	.165	825
MOX-CMCU3-12000	3.0	12000	.188	980
MOX-CMCU3-15000	3.0	15000	.209	1210
MOX-CMCU3-18000	3.0	18000	.290	1430
MOX-CMCU3-22000	3.0	22000	.315	1730
MOX-CMCU3-27000	3.0	27000	.350	2123
MOX-CMCU3-33000	3.0	33000	.500	2640
MOX-CMCU3-39000	3.0	39000	.540	3080



ELECTRICAL SPECIFICATIONS

MoxiE Part Number	Suggested Rated Current (A)	L@1KHz (μH)	DCR Max. (Ω)	Leakage Inductance (μH) Max.
MOX-CMCU5-100	5.0	100	.010	17
MOX-CMCU5-120	5.0	120	.012	19
MOX-CMCU5-150	5.0	150	.013	21
MOX-CMCU5-180	5.0	180	.014	24
MOX-CMCU5-220	5.0	220	.015	26
MOX-CMCU5-270	5.0	270	.017	28
MOX-CMCU5-330	5.0	330	.019	30
MOX-CMCU5-390	5.0	390	.020	32
MOX-CMCU5-470	5.0	470	.022	35
MOX-CMCU5-560	5.0	560	.024	39
MOX-CMCU5-680	5.0	680	.027	48
MOX-CMCU5-820	5.0	820	.028	60
MOX-CMCU5-1000	5.0	1000	.031	72
MOX-CMCU5-1200	5.0	1200	.034	94
MOX-CMCU5-1500	5.0	1500	.037	100
MOX-CMCU5-1800	5.0	1800	.041	130
MOX-CMCU5-2200	5.0	2200	.047	167
MOX-CMCU5-2700	5.0	2700	.052	208
MOX-CMCU5-3300	5.0	3300	.057	248
MOX-CMCU5-3900	5.0	3900	.063	286
MOX-CMCU5-4700	5.0	4700	.075	349
MOX-CMCU5-5600	5.0	5600	.078	417
MOX-CMCU5-6800	5.0	6800	.088	506
MOX-CMCU5-8200	5.0	8200	.100	603
MOX-CMCU5-10000	5.0	10000	.110	733
MOX-CMCU5-12000	5.0	12000	.127	883

MoxiE Part Number	Suggested Rated Current (A)	L@1KHz (μH)	DCR Max. (Ω)	Leakage Inductance (μH) Max.
MOX-CMCU10-100	10.0	100	.0080	10
MOX-CMCU10-120	10.0	120	.0085	11
MOX-CMCU10-150	10.0	150	.0090	13
MOX-CMCU10-180	10.0	180	.0095	14
MOX-CMCU10-220	10.0	220	.0100	16
MOX-CMCU10-270	10.0	270	.0120	22
MOX-CMCU10-330	10.0	330	.0130	26
MOX-CMCU10-390	10.0	390	.0140	29
MOX-CMCU10-470	10.0	470	.0160	38
MOX-CMCU10-560	10.0	560	.0170	43
MOX-CMCU10-680	10.0	680	.0190	53
MOX-CMCU10-820	10.0	820	.0200	63
MOX-CMCU10-1000	10.0	1000	.0220	75
MOX-CMCU10-1200	10.0	1200	.0240	94
MOX-CMCU10-1500	10.0	1500	.0270	119
MOX-CMCU10-1800	10.0	1800	.0320	140
MOX-CMCU10-2200	10.0	2200	.0350	176
MOX-CMCU10-2700	10.0	2700	.0390	215
MOX-CMCU10-3300	10.0	3300	.0450	267
MOX-CMCU10-3900	10.0	3900	.0490	316
MOX-CMCU10-4700	10.0	4700	.0560	380
MOX-CMCU10-5600	10.0	5600	.0660	460



ELECTRICAL SPECIFICATIONS

MoxiE Part Number	Suggested Rated Current (A)	L@1KHz (μH)	DCR Max. (Ω)	Leakage Inductance (μH) Max.
MOX-CMCU15-100	15.0	100	.007	8
MOX-CMCU15-120	15.0	120	.007	12
MOX-CMCU15-150	15.0	150	.007	14
MOX-CMCU15-180	15.0	180	.007	16
MOX-CMCU15-220	15.0	220	.007	18
MOX-CMCU15-270	15.0	270	.008	21
MOX-CMCU15-330	15.0	330	.008	26
MOX-CMCU15-390	15.0	390	.010	29
MOX-CMCU15-470	15.0	470	.011	38
MOX-CMCU15-560	15.0	560	.012	42
MOX-CMCU15-680	15.0	680	.013	51
MOX-CMCU15-820	15.0	820	.014	62
MOX-CMCU15-1000	15.0	1000	.015	85
MOX-CMCU15-1200	15.0	1200	.018	93
MOX-CMCU15-1500	15.0	1500	.019	115
MOX-CMCU15-1800	15.0	1800	.021	146
MOX-CMCU15-2200	15.0	2200	.024	170
MOX-CMCU15-2700	15.0	2700	.027	208

MoxiE Part Number	Suggested Rated Current (A)	L@1KHz (μH)	DCR Max. (Ω)	Leakage Inductance (μH) Max.
MOX-CMCU22-47	22.0	47	.0025	7
MOX-CMCU22-68	22.0	68	.0028	8
MOX-CMCU22-100	22.0	100	.0032	9
MOX-CMCU22-120	22.0	120	.0037	10
MOX-CMCU22-150	22.0	150	.0040	15
MOX-CMCU22-180	22.0	180	.0043	18
MOX-CMCU22-220	22.0	220	.0047	20
MOX-CMCU22-270	22.0	270	.0050	25
MOX-CMCU22-330	22.0	330	.0055	31
MOX-CMCU22-390	22.0	390	.0060	35
MOX-CMCU22-470	22.0	470	.0065	38
MOX-CMCU22-560	22.0	560	.0070	45
MOX-CMCU22-680	22.0	680	.0080	50

MoxiE Part Number	Suggested Rated Current (A)	L@1KHz (μH)	DCR Max. (Ω)	Leakage Inductance (μH) Max.
MOX-CMCU35-47	35.0	47	.0020	5
MOX-CMCU35-68	35.0	68	.0021	6
MOX-CMCU35-100	35.0	100	.0023	9
MOX-CMCU35-120	35.0	120	.0025	10
MOX-CMCU35-150	35.0	150	.0026	11
MOX-CMCU35-180	35.0	180	.0028	15
MOX-CMCU35-220	35.0	220	.0032	18
MOX-CMCU35-270	35.0	270	.0037	24
MOX-CMCU35-330	35.0	330	.0040	27