

# MOX-LAN-QP4B-81000

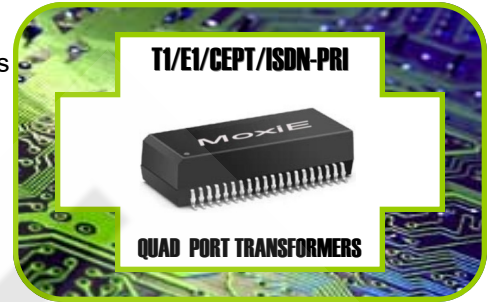


## T1/E1/CEPT/ISDN-PRI QUAD PORT TRANSFORMERS

MoxiE's LAN-QP4B-81000 series of surface mount quad port transformers are designed with a compact footprint and a low profile.

### FEATURES:

- Matched to leading quad & dual T1/E1/CEPT/ISDN transceivers.
- Quad port SMT package with 8 transformers.
- Meets IEEE 802.3 & ANSI X3.263 standards.
- Sealed bottom case design.
- Isolation voltage: 1500 Vrms.
- Crosstalk: -65dB or better.
- RoHS compliant.
- MoxiE Inductor Corporation custom designs available.



## NOTES

---

---

---

---

---

---

---

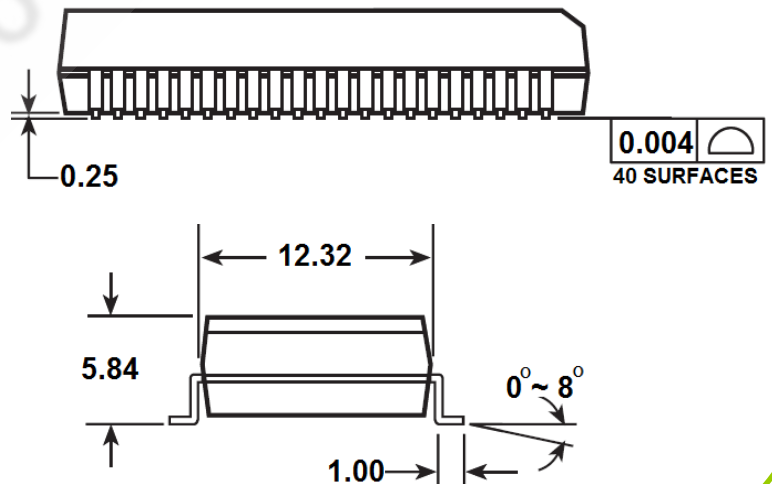
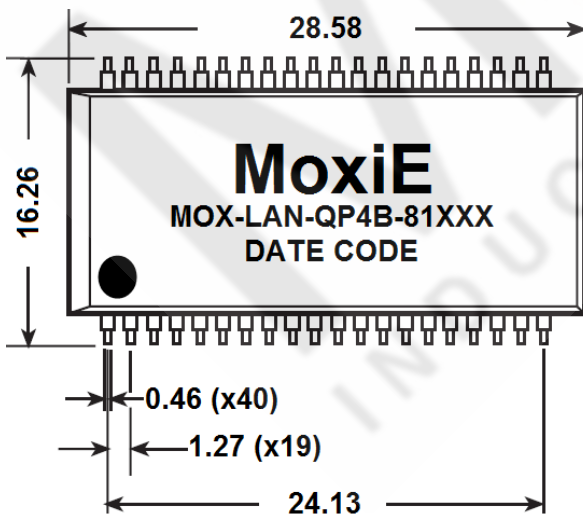
---

---

---

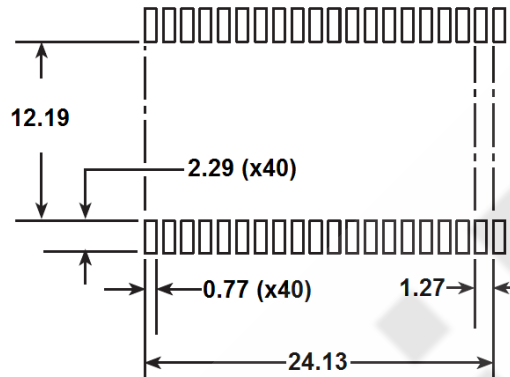


## MECHANICAL DIMENSIONS





## LANDING PATTERNS

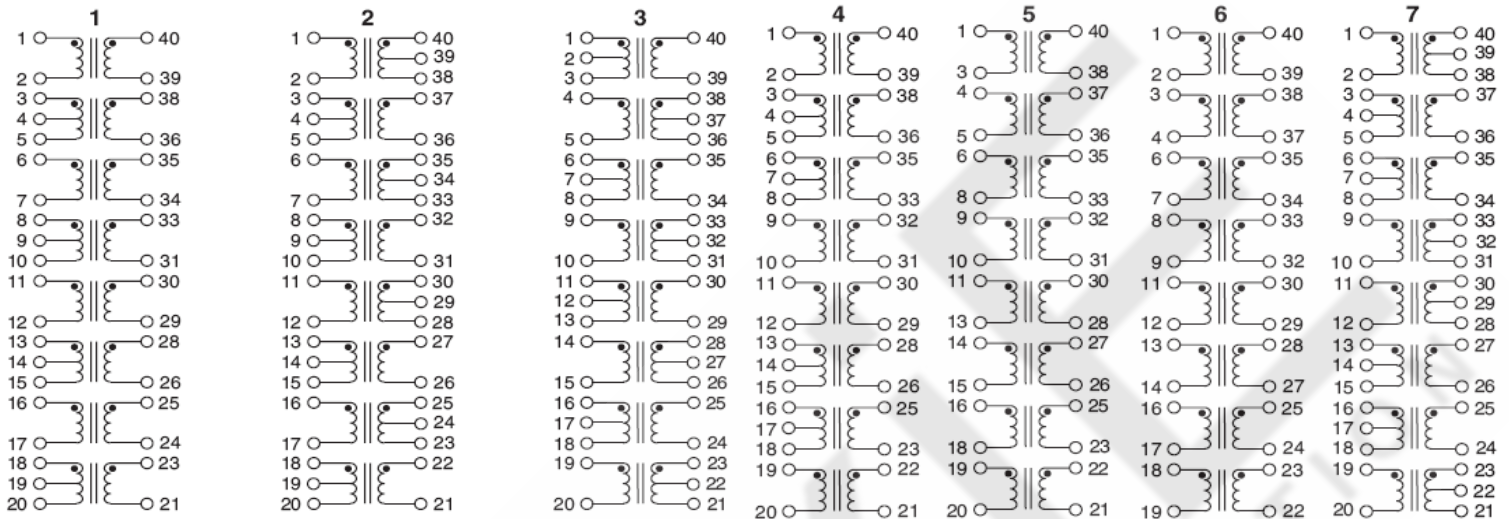


## ELECTRICAL SPECIFICATIONS

MoxiE MOX-LAN		Turns Ratio (Pri:Sec ± 2%)				LL (µH MAX)		C <sub>ww</sub> (pF MAX)		Schematic Reference	Primary Pins	
STD Temp.	EXT Temp.	Transmit	Receive	Transmit	Receive	Transmit	Receive	Transmit	Receive		Transmit	Receive
QP4B-81063	QP4B-81103	1:1.36	1:1.36CT	1.2	1.2	.6	.6	35	35	1	1-2, 6-7, 11-12, 16-17	38-36, 33-31, 28-26, 23-21
QP4B-81064	QP4B-81104	1:1.14	1:1.14CT	1.2	1.2	.6	.6	35	35	1	1-2, 6-7, 11-12, 16-17	38-36, 33-31, 28-26, 23-21
QP4B-81065	QP4B-81105	1:2CT	1:2CT	1.2	1.2	.8	.8	35	35	3	4-5, 9-10, 14-15, 19-20	24-25, 29-30, 34-35, 39-40
QP4B-81066	QP4B-81106	1:2	1:2CT	1.2	1.2	.6	.6	35	35	4	1-2, 9-10, 11-12, 19-20	23-25, 26-28, 33-35, 36-38
QP4B-81067	QP4B-81107	1:1.36CT	1:2CT	1.2	1.2	.6	.6	35	35	3	24-25, 29-30, 34-35, 39-40	4-5, 9-10, 14-15, 19-20
QP4B-81068	QP4B-81108	1:2CT	1:1 CT	1.2	1.2	.6	.6	35	35	2	1-2, 6-7, 11-12, 16-17	21-22, 26-27, 31-32, 36-37
QP4B-81069	QP4B-81109	1CT:1.41	1CT:1.41	1.2	1.2	.6	.6	35	35	3	1-3, 6-8, 11-13, 16-18	21-23, 26-28, 31-33, 36-38
QP4B-81070	QP4B-81110	1:1.15	1:2CT	1.2	1.2	.6	.6	35	35	1	1-2, 6-7, 11-12, 16-17	21-23, 26-28, 31-33, 36-38
QP4B-81071	QP4B-81111	1:1/1.26	1:2CT	1.2	1.2	.6	.6	35	35	2	1-2, 6-7, 11-12, 16-17	21-22, 26-27, 31-32, 36-37
QP4B-81072	QP4B-81112	1:1.15	1:1.15	1.2	1.2	.6	.6	35	35	5	1-3, 6-8, 11-13, 16-18	4-5, 9-10, 14-15, 19-20
QP4B-81073	QP4B-81113	1:2	1:2	1.2	1.2	.6	.6	35	35	5	1-3, 6-8, 11-13, 16-18	4-5, 9-10, 14-15, 19-20
QP4B-81078	—	1:1.08	1.08CT:1	1.2	1.2	.4	.5	35	35	1	1-2, 6-7, 11-12, 16-17	38-36, 33-31, 28-26, 23-21
QP4B-81124	QP4B-81114	1:2CT	1CT:2	1.2	1.2	.6	.6	35	35	3	4-5, 9-10, 14-15, 19-20	1-3, 6-8, 11-13, 16-18
QP4B-81125	—	1:1.70	1:1.36CT	1.2	1.2	.8	.6	35	35	1	1-2, 6-7, 11-12, 16-17	21-23, 26-28, 31-33, 36-38
QP4B-81129	—	1:1.36CT	1:1 CT	1.2	1.2	.6	.6	35	35	3	24-25, 29-30, 34-35, 39-40	4-5, 9-10, 14-15, 19-20
QP4B-81142	QP4B-81231	1:2.4	1:1	1.0	1.0	.5	.5	35	35	6	1-2, 8-9, 11-12, 18-19	24-25, 27-28, 34-35, 37-38
—	QP4B-81268E	1:2.8	1:1	1.0	1.0	.5	.5	35	35	6	1-2, 8-9, 11-12, 18-19	24-25, 27-28, 34-35, 37-38
—	QP4B-81226	1:1.5	1.41:1	1.0	1.0	.5	.5	35	35	6	1-2, 8-9, 11-12, 18-19	24-25, 27-28, 34-35, 37-38
QP4B-81145	—	1:2.24	1:0.79/1	1.0	1.0	1.0	1.0	35	35	7	1-2, 9-10, 11-12, 19-20	37-36, 35-34, 27-26, 25-24
QP4B-81180	—	1:2.42	1:2.42	1.2	1.2	.6	.6	35	35	5	1-3, 6-8, 11-13, 16-18	4-5, 9-10, 14-15, 19-20
QP4B-81181	—	1:2.1 CT	1:2.1 CT	1.2	.6	.6	.6	35	35	2	1-2, 6-7, 11-12, 16-17	21-22, 26-27, 31-32, 36-37
QP4B-81182	—	1:2.45CT	1:2.45CT	1.2	.6	.6	.6	35	35	2	1-2, 6-7, 11-12, 16-17	21-22, 26-27, 31-33, 36-37
—	QP4B-81262E	1:2	1:2	1.2	1.2	.7	.7	35	35	6	1-2, 6-7, 11-12, 16-17	3-4, 8-9, 13-14, 18-19
—	QP4B-81264E	1:2CT	1CT:1	1.2	1.2	.6	.6	35	35	3	4-5, 9-10, 14-15, 19-20	1-3, 6-8, 11-13, 16-18
—	QP4B-81266E	1:2	1:1	1.2	1.2	.6	.6	35	35	5	1-3, 6-8, 11-13, 16-18	4-5, 9-10, 14-15, 19-20
—	QP4B-81292E	1:1.36	1:1	1.2	1.2	.6	.6	40	40	5	1-3, 6-8, 11-13, 16-18	4-5, 9-10, 14-15, 19-20
—	QP4B-81294E	1:1 CT	1:1 CT	1.2	1.2	.6	.6	35	35	3	4-5, 9-10, 14-15, 19-20	24-25, 29-30, 34-35, 39-40
—	QP4B-81295E	1:1.26CT	1:1.26CT	1.2	1.2	.6	.6	35	35	3	4-5, 9-10, 14-15, 19-20	24-25, 29-30, 34-35, 39-40
—	QP4B-81298E	1:1	1:1	1.2	1.2	.7	.7	35	35	5	1-3, 6-8, 11-13, 16-18	4-5, 9-10, 14-15, 19-20



## SCHEMATICS



## NOTES

### MoxiE Notes:

- Standard operating temperature  $-20^{\circ}\text{C}$  to  $+70^{\circ}\text{C}$ .
- Extended operating temperature  $-40^{\circ}\text{C}$  to  $+85^{\circ}\text{C}$ .
- MSL = Moisture Sensitivity Level a=1 b=2 c=3 d=4
- Meets RoHS-6 peak reflow rating of  $245^{\circ}\text{C}$ .
- RoHS-6 Compliant: MoxiE Product does not contain 5 out of the 6 banned substances specified in the RoHS directive.
- Some internal connections may contain lead in high-temperature solder (solder alloys containing more than 85% lead).
- Packaging: Tube or tape & reel.
- MoxiE Inductor Corporation specifications are subject to change without notice.