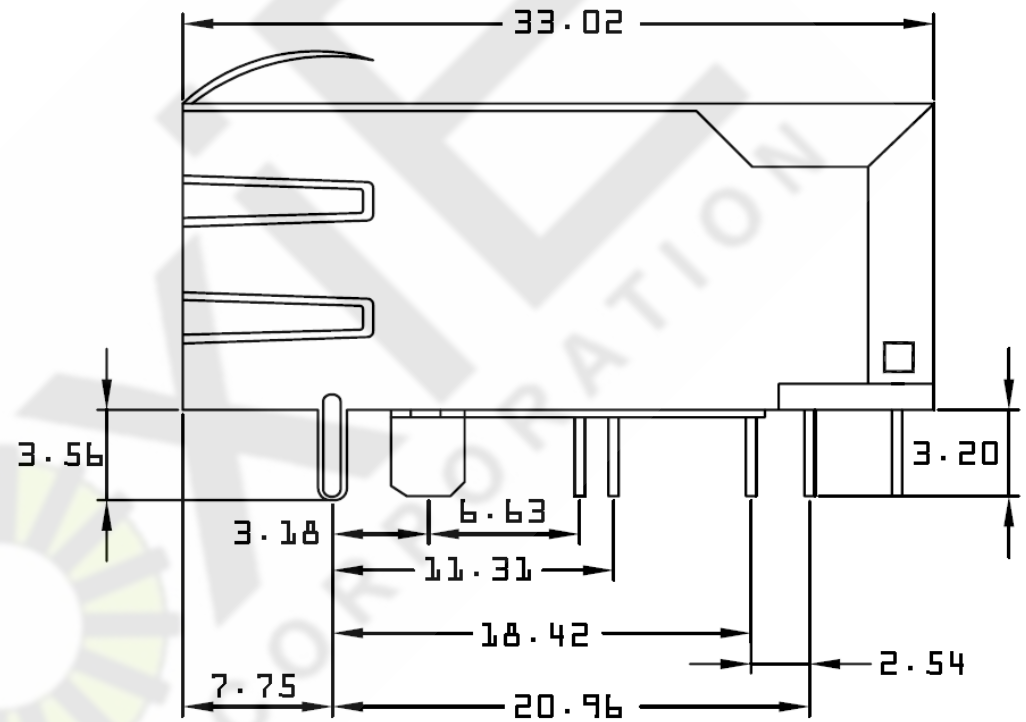
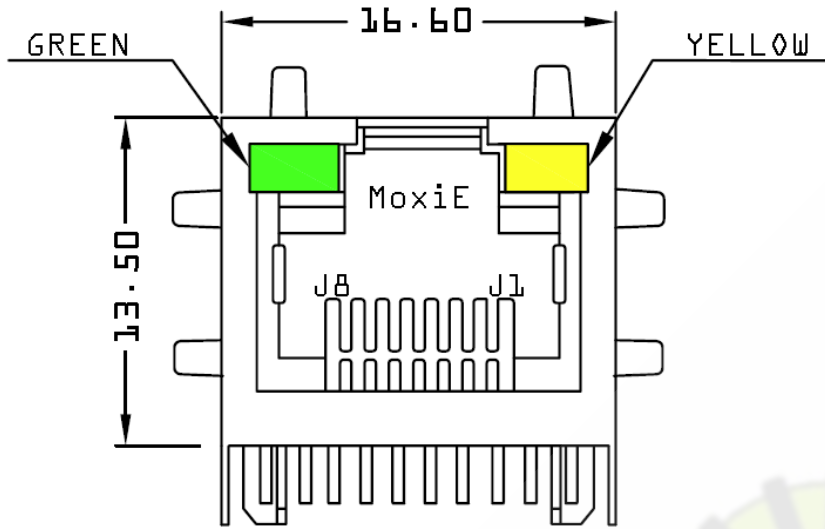


# MECHANICAL (mm)



## MOXIE NOTES:

- Packaging: Tray
- RoHS Compliant.
- Moisture sensitivity: Level 1.
- RoHS "NL" peak solder rating: 245°C
- Operating temperature range: -20°C to +70°C.
- Storage temperature range: -40°C to +85°C.
- MoxiE Inductor Corporation custom designs are subject to United States copyright and or patent protection(s).
- MoxiE Inductor Corporation specifications are subject to change without notice.
- Tolerances unless otherwise specified: 0-10=±0.15, 10-20=±0.20, 20-40=±0.25, 40-70=±0.30, ≥70=±0.40

**MoxiE**  
INDUCTOR CORPORATION

(888) 535-5207 [WWW.MOXIEINDUCTORS.COM](http://WWW.MOXIEINDUCTORS.COM)

LOW PROFILE 1000 BASE-TX RJ45 WITH PoE

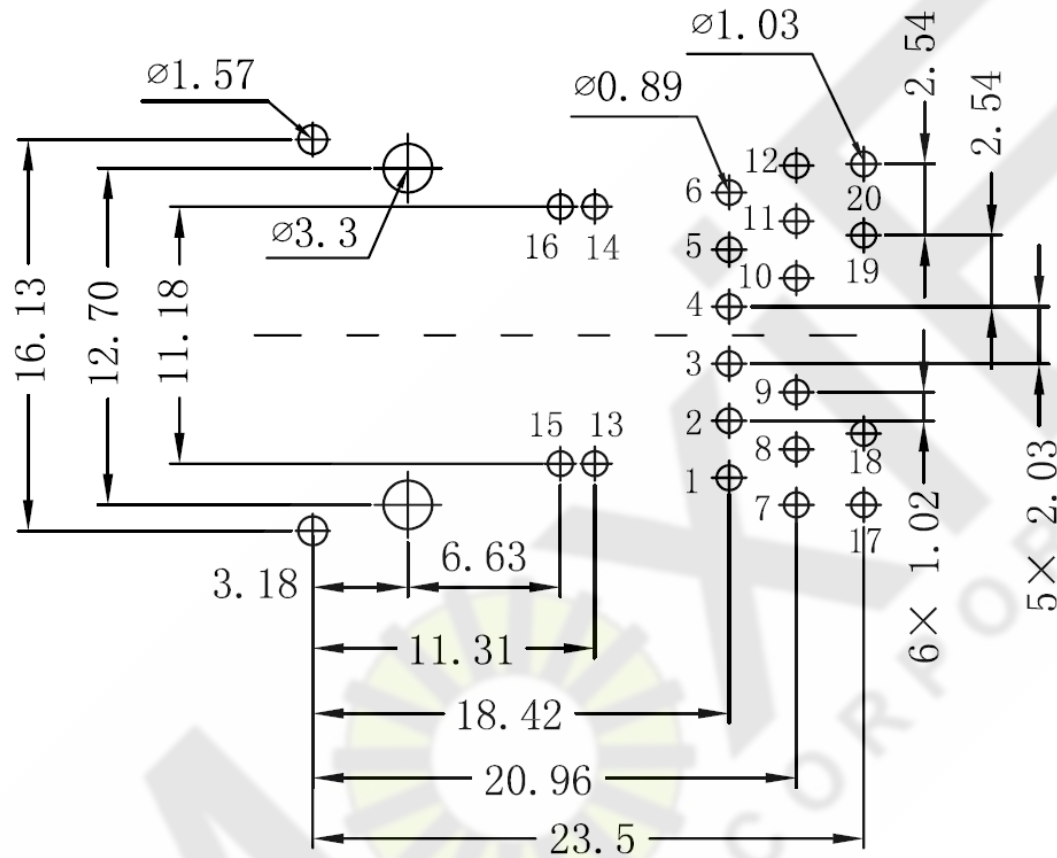
**MOXIE MOX-RJ45-2089**

PAGE 1/4

REV. -

DWG #: RJ452089

# PCB LAYOUT



## MOXIE NOTES:

- Packaging: Tray
- RoHS Compliant.
- Moisture sensitivity: Level 1.
- RoHS "NL" peak solder rating: 245°C
- Operating temperature range: -20°C to +70°C.
- Storage temperature range: -40°C to +85°C.
- MoxiE Inductor Corporation custom designs are subject to United States copyright and or patent protection(s).
- MoxiE Inductor Corporation specifications are subject to change without notice.
- Tolerances unless otherwise specified: 0-10=±0.15, 10-20=±0.20, 20-40=±0.25, 40-70=±0.30, ≥70=±0.40

**MoxiE**  
INDUCTOR CORPORATION

(888) 535-5207 [WWW.MOXIEINDUCTORS.COM](http://WWW.MOXIEINDUCTORS.COM)

LOW PROFILE 1000 BASE-TX RJ45 WITH PoE

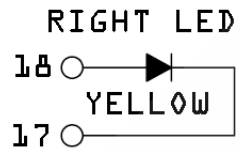
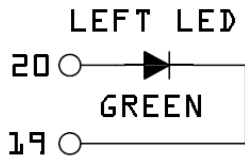
**MOXIE MOX-RJ45-2089**

PAGE 2/4

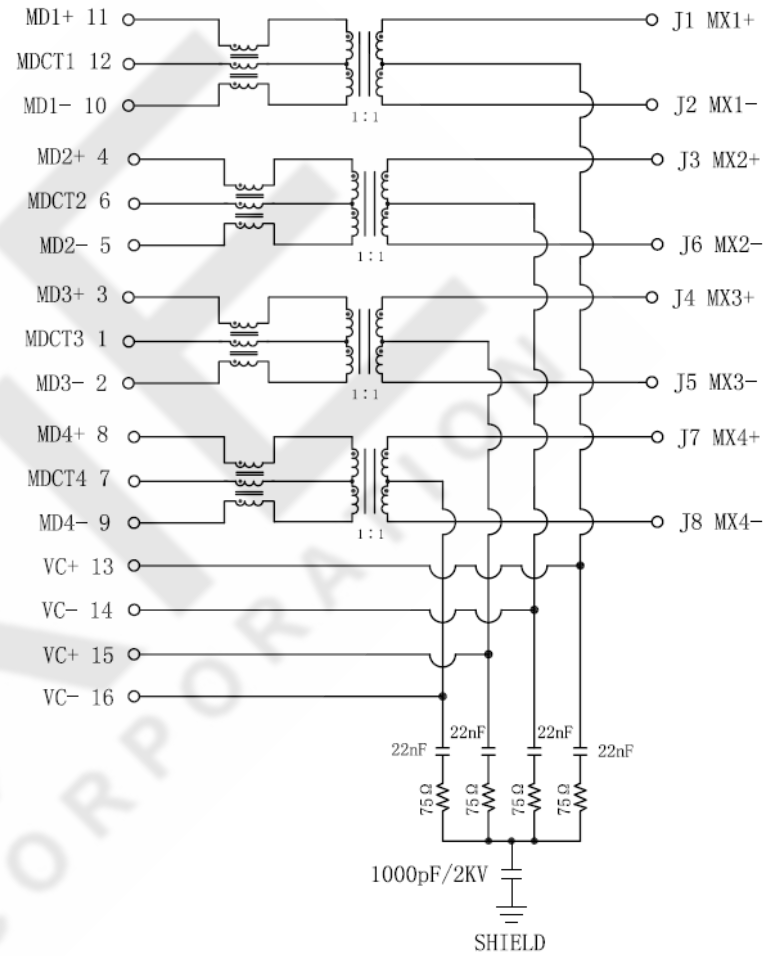
REV. -

DWG #: RJ452089

# SCHEMATIC



PC BOARD CONNECTIONS



RJ45 CONNECTOR

## MOXIE NOTES:

- Packaging: Tray
- RoHS Compliant.
- Moisture sensitivity: Level 1.
- RoHS "NL" peak solder rating: 245°C
- Operating temperature range: -20°C to +70°C.
- Storage temperature range: -40°C to +85°C.
- MoxiE Inductor Corporation custom designs are subject to United States copyright and or patent protection(s).
- MoxiE Inductor Corporation specifications are subject to change without notice.
- Tolerances unless otherwise specified: 0-10=±0.15, 10-20=±0.20, 20-40=±0.25, 40-70=±0.30, ≥70=±0.40

**MoxiE**  
INDUCTOR CORPORATION

(888) 535-5207 [WWW.MOXIEINDUCTORS.COM](http://WWW.MOXIEINDUCTORS.COM)

LOW PROFILE 1000 BASE-TX RJ45 WITH PoE

**MOXIE MOX-RJ45-2089**

PAGE 3/4

REV. -

DWG #: RJ452089

**ELECTRICAL @ 25°C**

INDUCTANCE	350μH MINIMUM @ 100KHz, 0.1V, 8mA DC BIAS
TURNS RATIO (±2%)	TX=1CT:1 RX=1CT:1
INSERTION LOSS	1~100MHz: -1.0dB MAXIMUM
RETURN LOSS (LOAD 100Ω)	1~30MHz: -18dB MINIMUM 30~60MHz: -16dB MINIMUM 60~80MHz: -12dB MINIMUM 80~100MHz: -10dB MINIMUM
CROSSTALK	1~100MHz: -30dB MINIMUM
COMMON MODE REJECTION	1~100MHz: -30dB MINIMUM
HI-POT	1500Vrms MINIMUM @ 60Hz

**MOXIE NOTES:**

- Packaging: Tray
- RoHS Compliant.
- Moisture sensitivity: Level 1.
- RoHS "NL" peak solder rating: 245°C
- Operating temperature range: -20°C to +70°C.
- Storage temperature range: -40°C to +85°C.
- MoxiE Inductor Corporation custom designs are subject to United States copyright and or patent protection(s).
- MoxiE Inductor Corporation specifications are subject to change without notice.
- Tolerances unless otherwise specified: 0-10=±0.15, 10-20=±0.20, 20-40=±0.25, 40-70=±0.30, ≥70=±0.40



(888) 535-5207 [www.moxieinductors.com](http://www.moxieinductors.com)

LOW PROFILE 1000 BASE-TX RJ45 WITH PoE

**MOXIE MOX-RJ45-2089**