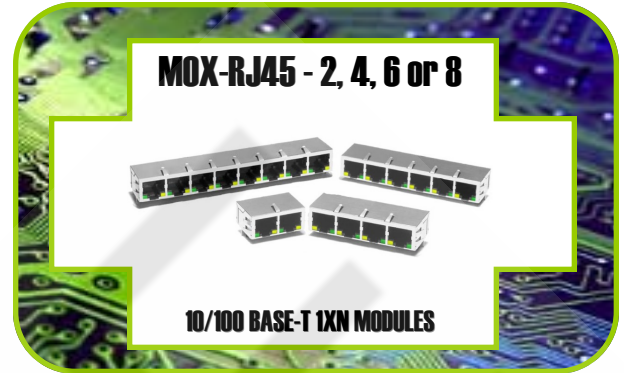


MOX-RJ45-X SERIES



10/100 BASE-T RJ45 1 X N TAB DOWN WITH INTEGRATED MAGNETICS

- Available with or without LEDs.
- Available in 2, 4, 6 or 8 package types.
- RoHS NL peak solder rating 235°C.
- Suitable for CAT5 & 6 fast ethernet cable or better UTP.
- Meets or exceeds IEEE 802.3 standard for 100Base -T
- 350uH minimum OCL with 8 mA bias current.
- RoHS compliant.
- Operating temperature: 0°C to +70°C.
- Industrial temperature range of -40°C to +85°C available.
- MoxiE custom designs available.



ELECTRICAL SPECIFICATIONS @ 25°C

MoxiE Part Number	Turns Ratio		Insertion Loss (dB typical)	Return Loss (dB typical) 100Ω±15Ω				Crosstalk (dB typical)			Common Mode Rejection (dB typical)		Hi-Pot (Vrms) @60Hz 1MIN
	TX	RX		0.1-100 MHz	1-10 MHz	30 MHz	60-100 MHz	1-10 MHz	30-60 MHz	60-100 MHz	1-50 MHz	50-130 MHz	
MOX-RJ45-X-01	1CT:1CT	1CT:1CT	-1.2	-18.0	-16.0	-12.0	-40.0	-35.0	-30.0	-30.0	.20.0	1500	
MOX-RJ45-X-02	1CT:1CT	1CT:1CT	-1.2	-18.0	-16.0	-12.0	-40.0	-35.0	-30.0	-30.0	.20.0	1500	
MOX-RJ45-X-03	1CT:1CT	1CT:1CT	-1.2	-18.0	-16.0	-12.0	-40.0	-35.0	-30.0	-30.0	.20.0	1500	
MOX-RJ45-X-04	1CT:1CT	1CT:1CT	-1.2	-18.0	-16.0	-12.0	-40.0	-35.0	-30.0	-30.0	.20.0	1500	

MOXIE MATERIAL SPECIFICATIONS

SHIELD		CONTACT			CASE HOUSING		MSL RATING
Material	Finish	Material	Plating Area	Solder Area	Material	Specification	
Brass	20-40μ inches thick nickel over Brass	Phosphor Bronze	30μ inches gold over 30-80μ inches nickel	75-300μ inches tin-lead over 75-300μ inches nickel	Thermoplastic	UL 94 V-0	1

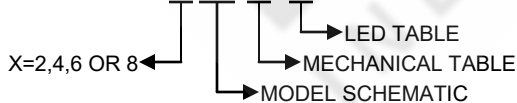
MOXIE MECHANICAL OPTIONS

A	WITH LED AND EMI-FINGER
B	WITH LED AND NON EMI-FINGER
C	WITHOUT LED AND WITH EMI-FINGER
D	WITHOUT LED AND NON EMI-FINGER

MOXIE LED ORDERING OPTIONS

LED CODE	LED COLOR		LED POLARITY
	Y	G	
A	Y	G	9°
B	G	Y	10°
C	G	G	12°
D	Y	G	11°
E	G	Y	9°
F	G	G	10°

MOX-RJ45 X XX X X

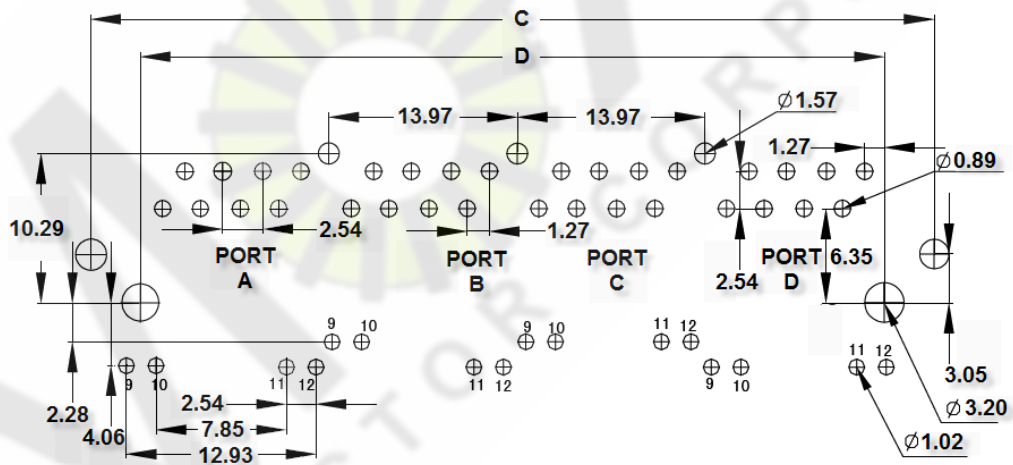
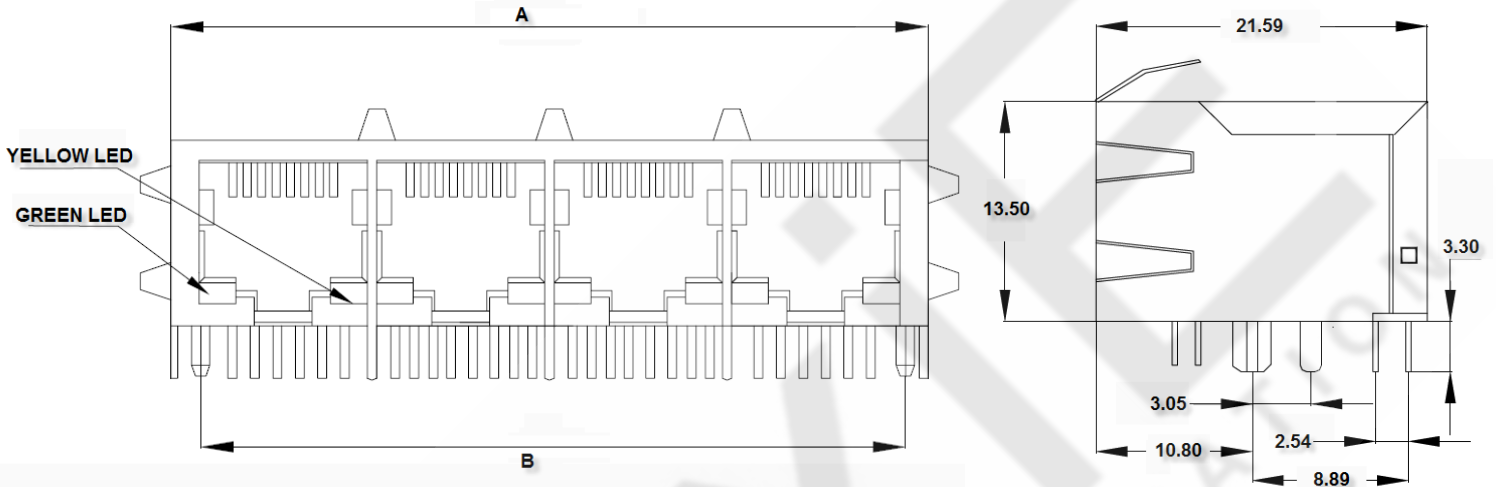


MOX-RJ45-X SERIES

10/100 BASE-T RJ45 1 X N TAB DOWN WITH INTEGRATED MAGNETICS



(A) WITH LED & EMI-FINGER



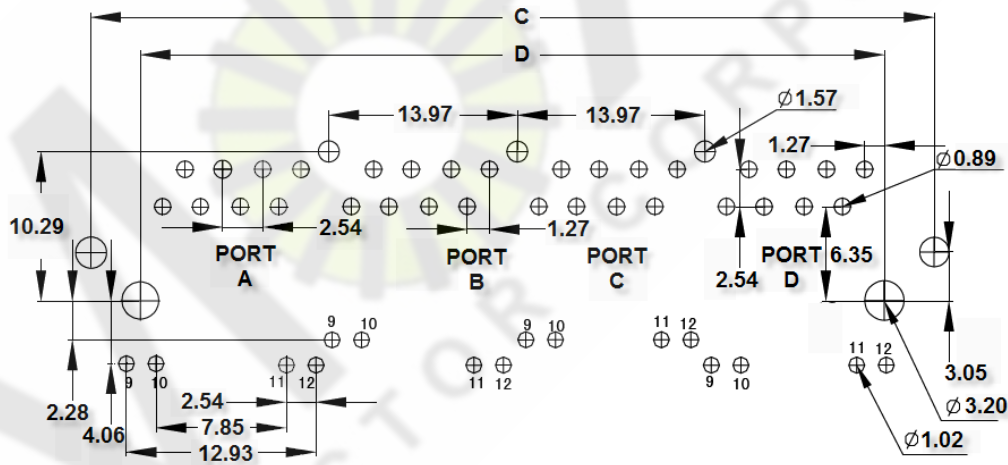
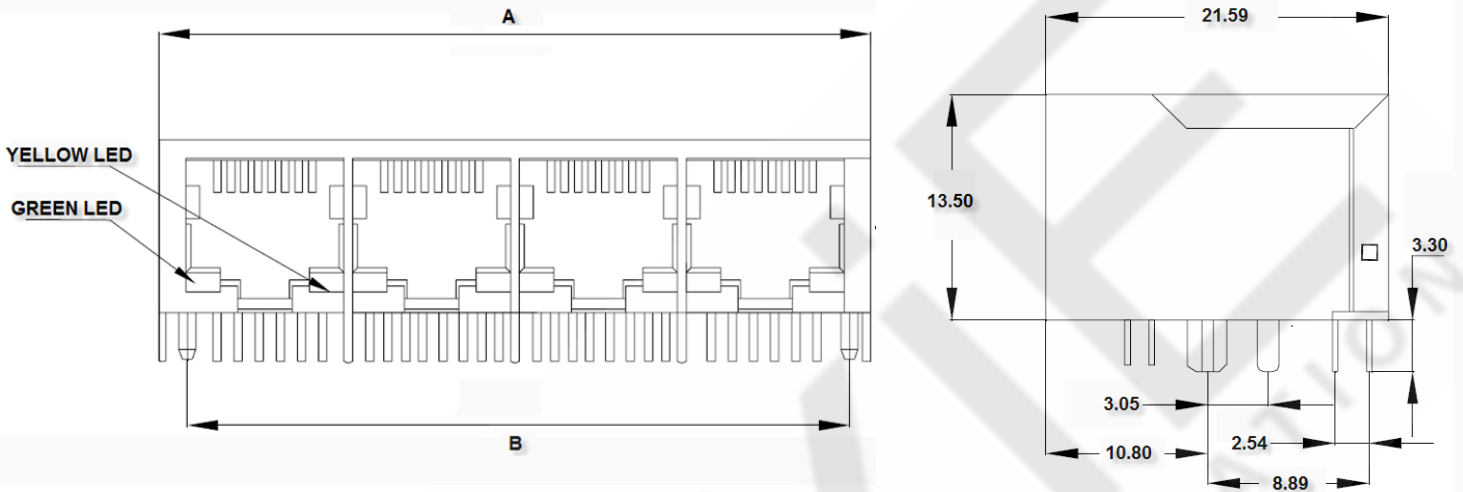
1 x X PORT	1 x X PORT LENGTH			
1 X 2	A = 31.28	B = 25.40	C = 30.93	D = 25.40
1 X 4	A = 59.18	B = 53.34	C = 58.93	D = 53.34
1 X 6	A = 87.07	B = 81.28	C = 86.82	D = 81.28
1 x 8	A = 115.00	B = 109.20	C = 114.80	D = 109.20

MOX-RJ45-X SERIES

10/100 BASE-T RJ45 1 X N TAB DOWN WITH INTEGRATED MAGNETICS



(B) WITH LED & NON EMI-FINGER



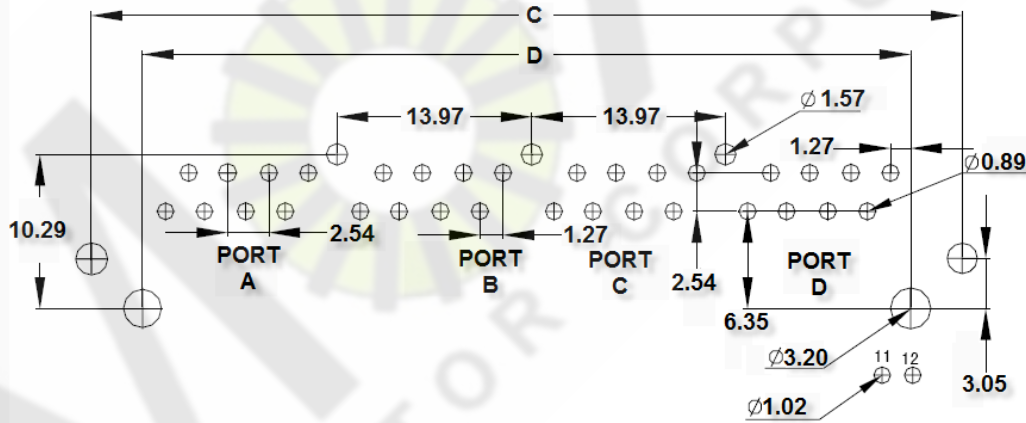
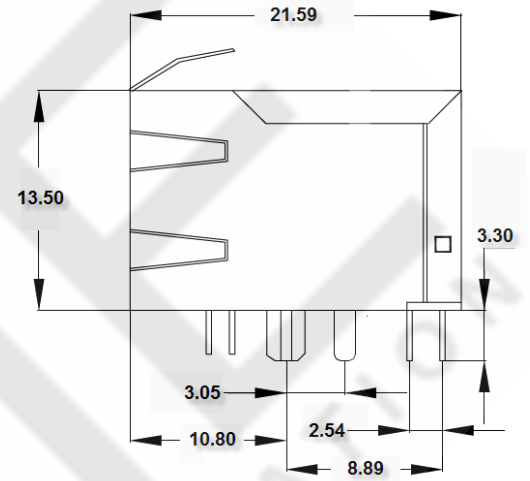
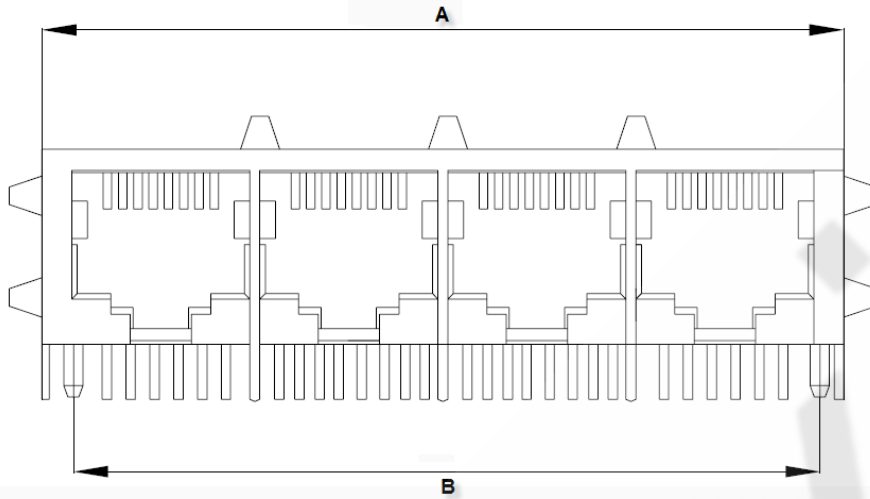
1 x X PORT	1 x X PORT LENGTH			
1 X 2	A = 31.28	B = 25.40	C = 30.93	D = 25.40
1 X 4	A = 59.18	B = 53.34	C = 58.93	D = 53.34
1 X 6	A = 87.07	B = 81.28	C = 86.82	D = 81.28
1 x 8	A = 115.00	B = 109.20	C = 114.80	D = 109.20

MOX-RJ45-X SERIES

10/100 BASE-T RJ45 1 X N TAB DOWN WITH INTEGRATED MAGNETICS



(C) WITHOUT LED WITH EMI-FINGER



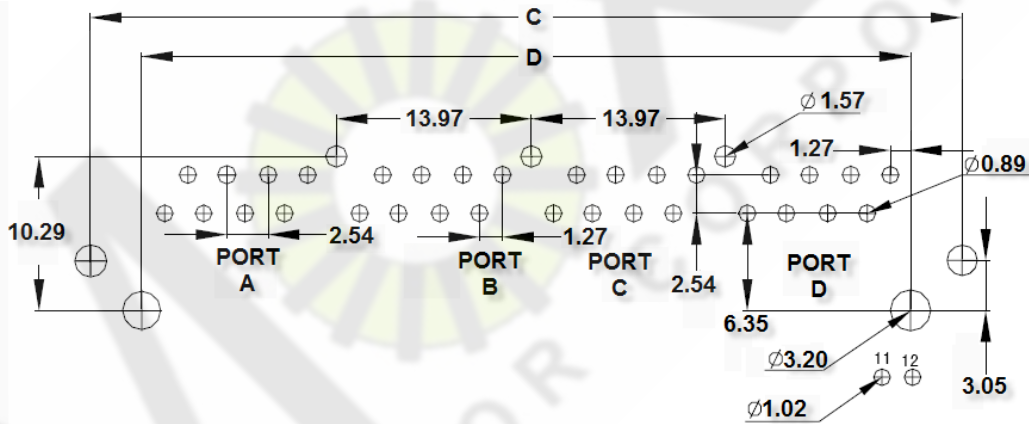
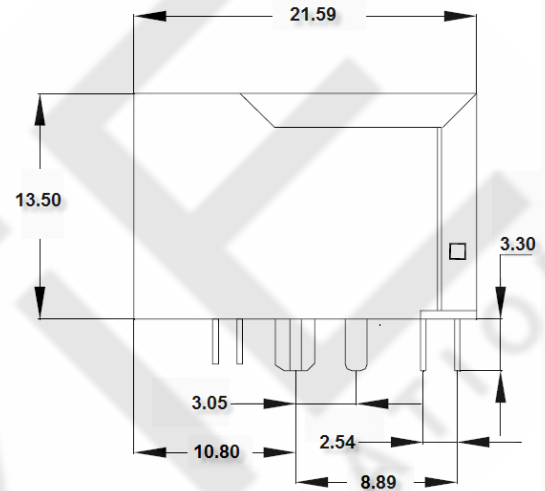
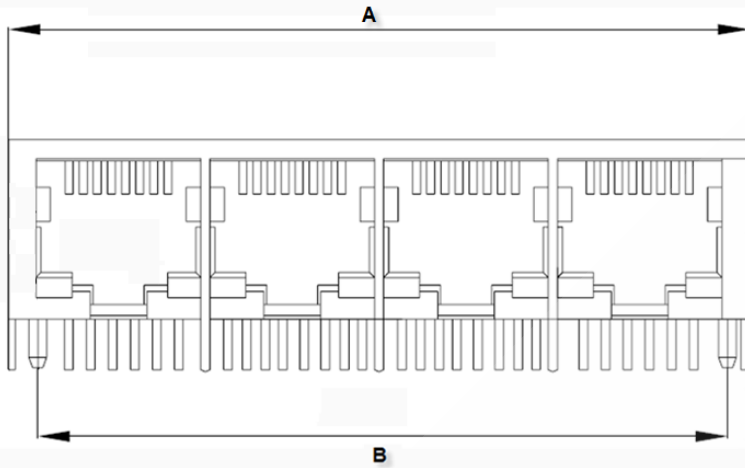
1 x X PORT	1 x X PORT LENGTH			
1 X 2	A = 31.28	B = 25.40	C = 30.93	D = 25.40
1 X 4	A = 59.18	B = 53.34	C = 58.93	D = 53.34
1 X 6	A = 87.07	B = 81.28	C = 86.82	D = 81.28
1 x 8	A = 115.00	B = 109.20	C = 114.80	D = 109.20

MOX-RJ45-X SERIES

10/100 BASE-T RJ45 1 X N TAB DOWN WITH INTEGRATED MAGNETICS



(D) WITHOUT LED & EMI-FINGER



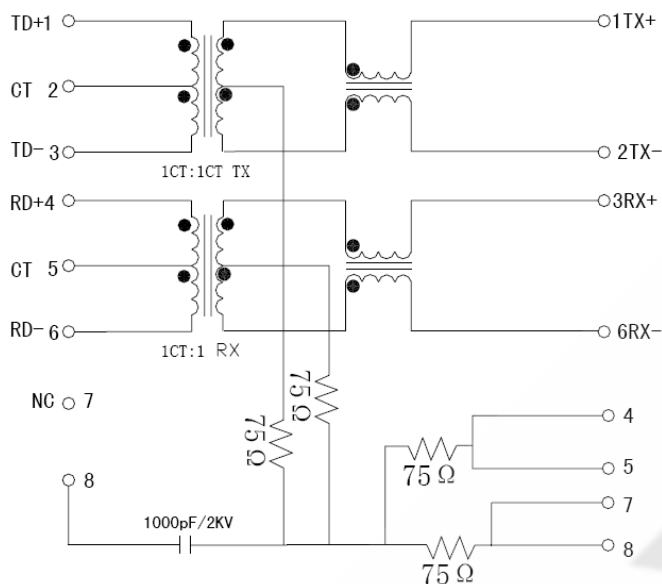
1 x X PORT	1 x X PORT LENGTH			
1 X 2	A = 31.28	B = 25.40	C = 30.93	D = 25.40
1 X 4	A = 59.18	B = 53.34	C = 58.93	D = 53.34
1 X 6	A = 87.07	B = 81.28	C = 86.82	D = 81.28
1 x 8	A = 115.00	B = 109.20	C = 114.80	D = 109.20

MOX-RJ45-X SERIES

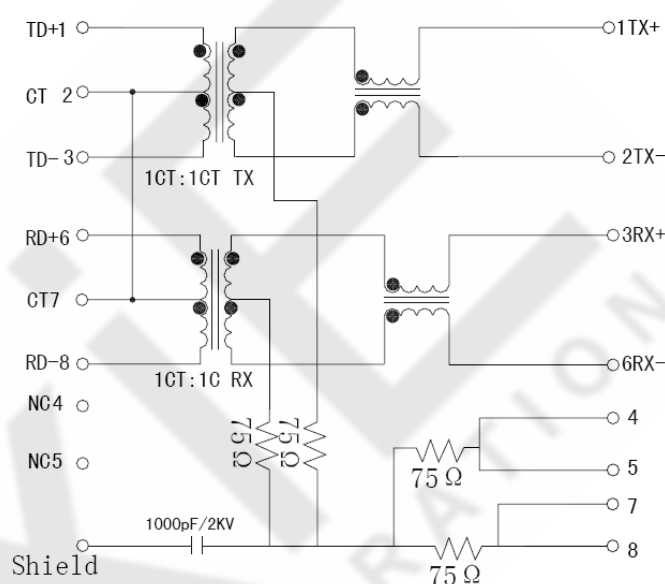
10/100 BASE-T RJ45 1 X N TAB DOWN WITH INTEGRATED MAGNETICS



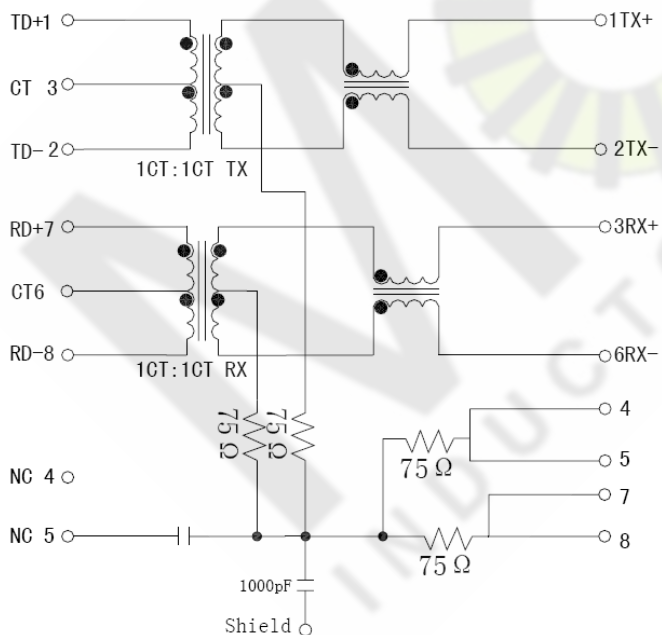
SCHEMATICS



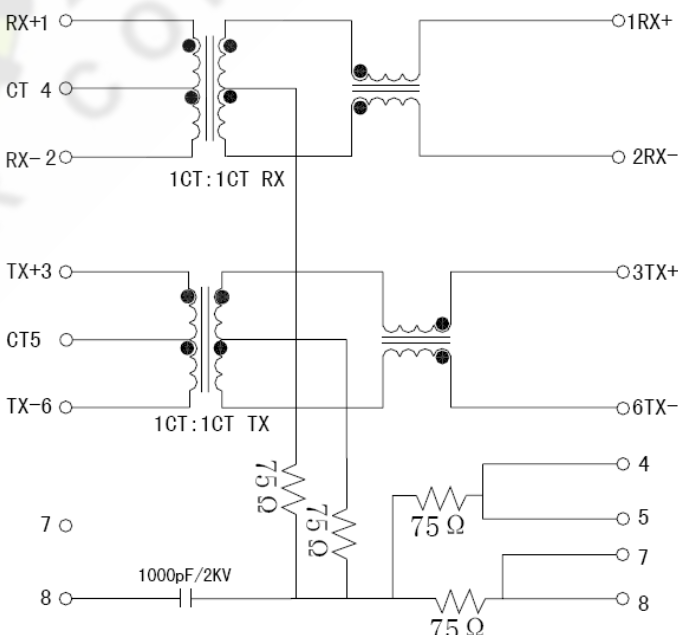
MOXIE MOX-RJ45-X-01 SCHEMATIC
X = 2, 4, 6 OR 8



MOXIE MOX-RJ45-X-02 SCHEMATIC
X = 2, 4, 6 OR 8



MOXIE MOX-RJ45-X-03 SCHEMATIC
X = 2, 4, 6 OR 8



MOXIE MOX-RJ45-X-04 SCHEMATIC
X = 2, 4, 6 OR 8