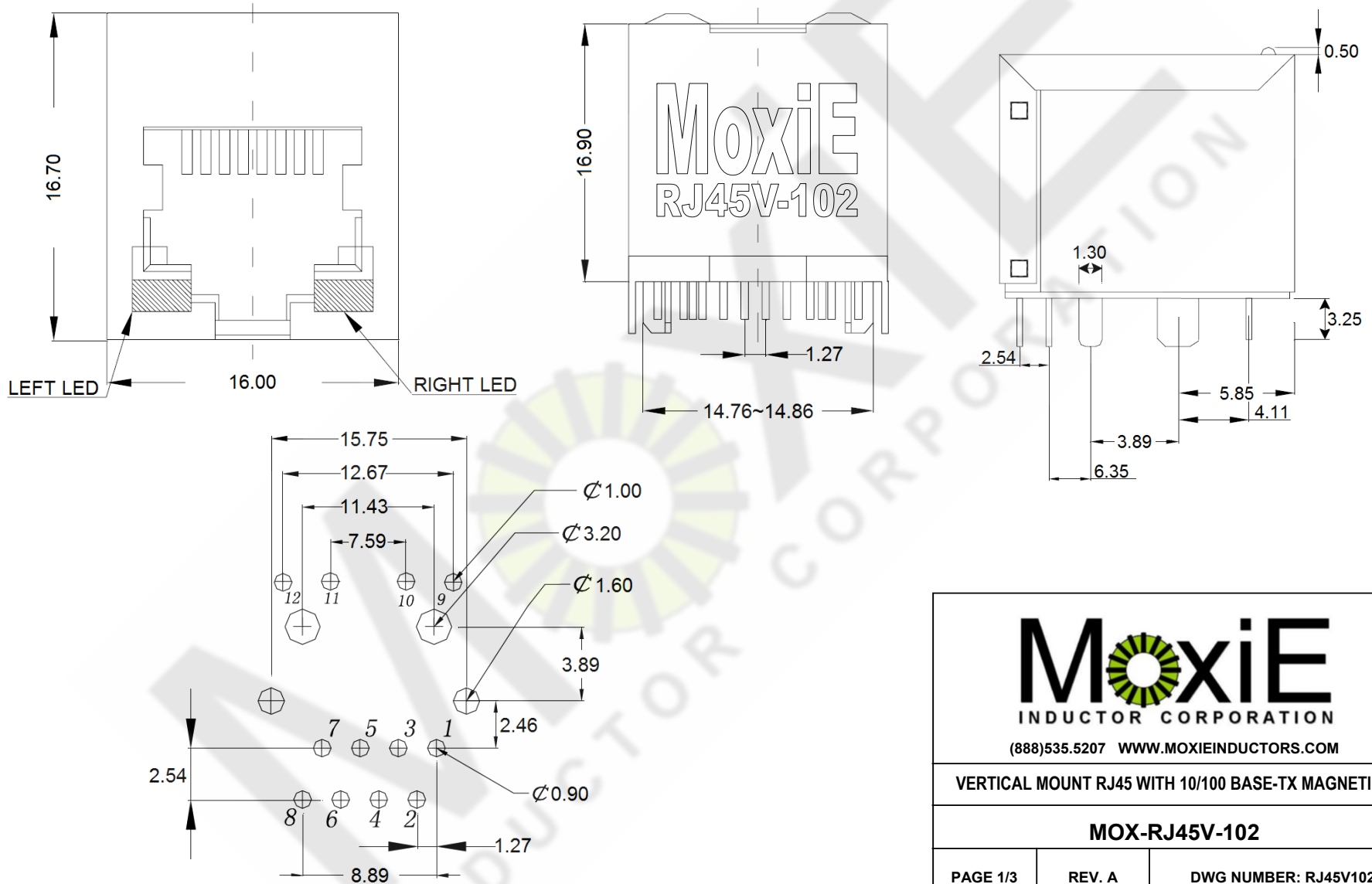


MECHANICAL



MoxiE

INDUCTOR CORPORATION

(888)535.5207 WWW.MOXIEINDUCTORS.COM

VERTICAL MOUNT RJ45 WITH 10/100 BASE-TX MAGNETICS

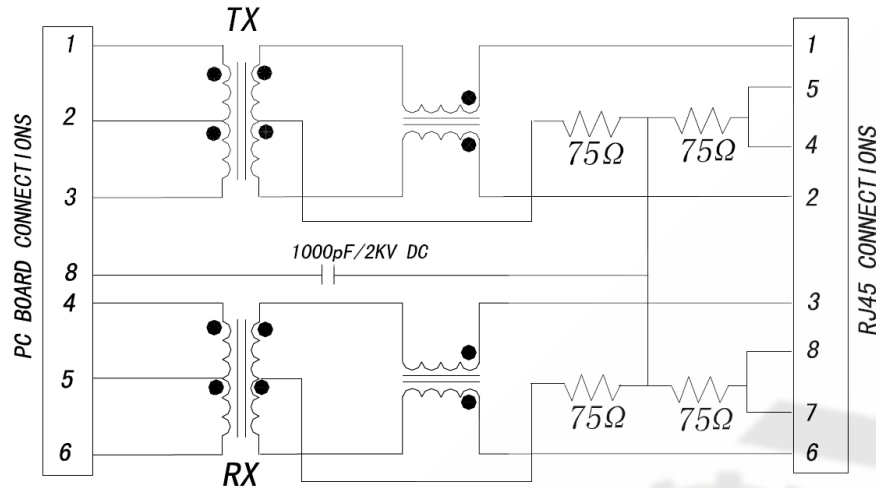
MOX-RJ45V-102

PAGE 1/3

REV. A

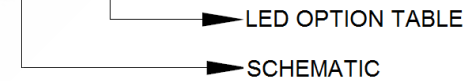
DWG NUMBER: RJ45V102

SCHEMATICS



LED CODE	LED COLOR		LED POLARITY
	LEFT	RIGHT	
G	Y	G	10°
H	G	Y	9°
W	G	G	12°

MOX-RJ45V-102 X



MOXIE NOTES:

- COMPACT FOOTPRINT FOR USE IN THE MOST SPACE RESTRICTIVE APPLICATIONS.
- MEETS IEEE 802.3 & ANSI X3.263 STANDARDS INCLUDING 350μH OCL WITH 8mA BIAS
- DESIGNED FOR LEAD FREE SOLDERING TEMPERATURE 260°C
- ALL DIMENSIONS IN MILLIMETERS.
- RoHS COMPLIANT.
- OPERATING TEMPERATURE RANGE: -20°C TO +70°C.
- OPERATING TEMPERATURE RANGE: -40°C TO +85°C OPTIONAL (-E)
- STORAGE TEMPERATURE RANGE: -40°C TO +85°C.
- MOXIE INDUCTOR CORPORATION CUSTOM DESIGNS AVAILABLE.
- MOXIE INDUCTOR CORPORATION SPECIFICATIONS SUBJECT TO CHANGE WITHOUT NOTICE.

MoxiE
INDUCTOR CORPORATION
(888)535.5207 WWW.MOXIEINDUCTORS.COM

VERTICAL MOUNT RJ45 WITH 10/100 BASE-TX MAGNETICS

MOX-RJ45V-102

PAGE 2/3

REV. A

DWG NUMBER:RJ45V102

ELECTRICAL

ELECTRICAL SPECIFICATIONS @ 25°C

MoxiE Part Number	Turns Ratio(0.1 MHZ,/0.1V)		Insertion Loss	CMR			DCR		HI-POT
	TX	RX		1-65MHz	1-50MHZ	50-150MHZ	(P1-P2,J1-J2,J3-J6)	P7-P8	
MOX-RJ45V-102	1:1	1:1	-1.0dB MAX	-30dB MIN	-20dB MIN	1.0 OHMS MAX	1.2 OHMSMAX	1500V	
MoxiE Part Number (Continued)	LX(0.1 MHZ/0.1 V /8mA DC BIAS)	RETURN LOSS				CROSS TALK			
		1-10MHZ	10-30MZ	30-60MHZ	60-100MHZ	1-30MHz	30-60MHZ	60-100MHZ	
MOX-RJ45V-102	350uH MIN	-20dB	-16dB	-12dB	-1 0dB	--40d B	-35dB	-30dB	

MOXIE NOTES:

- COMPACT FOOTPRINT FOR USE IN THE MOST SPACE RESTRICTIVE APPLICATIONS.
- MEETS IEEE 802.3 & ANSI X3.263 STANDARDS INCLUDING 350µH OCL WITH 8mA BIAS
- DESIGNED FOR LEAD FREE SOLDERING TEMPERATURE 260°C
- ALL DIMENSIONS IN MILLIMETERS.
- RoHS COMPLIANT.
- OPERATING TEMPERATURE RANGE: -20°C TO +70°C.
- OPERATING TEMPERATURE RANGE: -40°C TO +85°C OPTIONAL (-E)
- STORAGE TEMPERATURE RANGE: -40°C TO +85°C.
- MOXIE INDUCTOR CORPORATION CUSTOM DESIGNS AVAILABLE.
- MOXIE INDUCTOR CORPORATION SPECIFCATIONS SUBJECT TO CHANGE WITHOUT NOTICE.

MoxiE
INDUCTOR CORPORATION

(888)535.5207 WWW.MOXIEINDUCTORS.COM

VERTICAL MOUNT RJ45 WITH 10/100 BASE-TX MAGNETICS

MOX-RJ45V-102

PAGE 3/3

REV. A

DWG NUMBER:RJ45V102