

MOX-MOX-RLPL SERIES

MoxiE[®]
INDUCTOR CORPORATION

HIGH CURRENT LEADED POWER LINE CHOKES

MoxiE's RLPL series of radial leaded power line chokes offer a wide range of inductance values. These coils are perfect for RFI suppression, switching regulators, filters, power supplies and power amplifiers.

Features

- Low cost.
- RoHS compliant.
- High current ratings.
- Quick-Turn lead-times.
- Ideal for use in switching regulated power supply applications.
- MoxiE Inductor Corporation custom designs available.

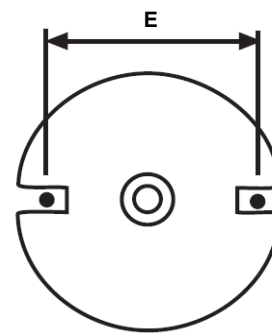
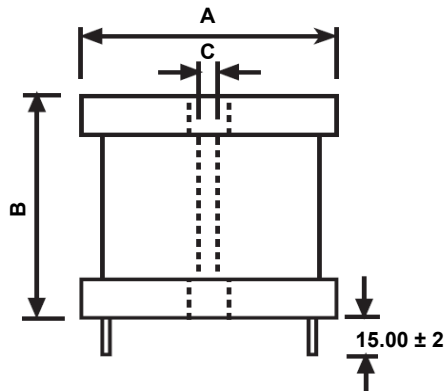


PART NUMBERS

MoxiE Part Number	A (mm)	B (mm)	C (mm)
MOX-RLPL1	16.76	21.34	4.95
MOX-RLPL2	21.08	21.34	4.95
MOX-RLPL3	27.94	21.34	4.95
MOX-RLPL4	40.64	27.94	7.37
MOX-RLPL5	40.64	36.83	7.37
MOX-RLPL6	50.80	38.10	9.52
MOX-RLPL7	60.96	38.10	10.80
MOX-RLPL8	60.96	63.50	10.80



MECHANICAL DIMENSIONS





ELECTRICAL SPECIFICATIONS

MoxiE Part Number	Inductance (μH)	DCR (Ω) Max.	Saturation Current	Rated Current (A)
MOX-RLPL1-1R0	1.0	.003	87.0	9.5
MOX-RLPL1-1R2	1.2	.003	68.0	9.5
MOX-RLPL1-1R5	1.5	.004	56.0	9.5
MOX-RLPL1-1R8	1.8	.004	56.0	9.5
MOX-RLPL1-2R2	2.2	.005	47.0	9.5
MOX-RLPL1-2R7	2.7	.005	47.0	9.5
MOX-RLPL1-3R3	3.3	.005	40.0	9.5
MOX-RLPL1-3R9	3.9	.006	36.0	9.5
MOX-RLPL1-4R7	4.7	.007	32.0	9.5
MOX-RLPL1-5R6	5.6	.007	29.0	9.5
MOX-RLPL1-6R8	6.8	.008	26.0	9.5
MOX-RLPL1-8R2	8.2	.009	24.5	9.5
MOX-RLPL1-100	10.0	.010	21.2	9.3
MOX-RLPL1-120	12.0	.011	19.0	9.3
MOX-RLPL1-150	15.0	.015	17.5	7.5
MOX-RLPL1-180	18.0	.016	16.5	7.3
MOX-RLPL1-220	22.0	.025	15.8	5.7
MOX-RLPL1-270	27.0	.030	14.4	4.8
MOX-RLPL1-330	33.0	.040	13.2	4.5
MOX-RLPL1-390	39.0	.046	11.8	4.2
MOX-RLPL1-470	47.0	.062	11.0	2.8
MOX-RLPL1-560	56.0	.069	10.0	2.8
MOX-RLPL1-680	68.0	.077	8.9	2.8
MOX-RLPL1-820	82.0	.083	8.2	2.8
MOX-RLPL1-101	100.0	.095	7.5	2.8
MOX-RLPL1-121	120.0	.127	5.8	2.0
MOX-RLPL1-151	150.0	.181	5.6	1.7
MOX-RLPL1-181	180.0	.217	5.1	1.6
MOX-RLPL1-221	220.0	.240	4.3	1.6
MOX-RLPL1-271	270.0	.300	4.1	1.6
MOX-RLPL1-331	330.0	.336	3.8	1.3
MOX-RLPL1-391	390.0	.460	3.3	1.0
MOX-RLPL1-471	470.0	.636	3.2	0.8
MOX-RLPL1-561	560.0	.696	2.9	0.8



ELECTRICAL SPECIFICATIONS

MoxiE Part Number	Inductance (μH)	DCR (Ω) Max.	Saturation Current	Rated Current (A)
MOX-RLPL2-1R0	1.0	.003	108.0	11.9
MOX-RLPL2-1R2	1.2	.003	108.0	11.9
MOX-RLPL2-1R5	1.5	.003	83.0	11.9
MOX-RLPL2-1R8	1.8	.003	68.0	11.8
MOX-RLPL2-2R2	2.2	.004	68.0	11.7
MOX-RLPL2-2R7	2.7	.005	58.0	11.5
MOX-RLPL2-3R3	3.3	.005	58.0	11.5
MOX-RLPL2-3R9	3.9	.005	50.0	11.5
MOX-RLPL2-4R7	4.7	.005	50.0	11.5
MOX-RLPL2-5R6	5.6	.006	44.0	11.4
MOX-RLPL2-6R8	6.8	.007	39.0	11.4
MOX-RLPL2-8R2	8.2	.007	36.0	11.4
MOX-RLPL2-100	10.0	.009	30.0	11.2
MOX-RLPL2-120	12.0	.009	27.0	11.2
MOX-RLPL2-150	15.0	.013	25.0	9.5
MOX-RLPL2-180	18.0	.018	22.0	7.4
MOX-RLPL2-220	22.0	.019	21.0	7.2
MOX-RLPL2-270	27.0	.026	20.5	5.7
MOX-RLPL2-330	33.0	.029	18.6	5.7
MOX-RLPL2-390	39.0	.030	17.0	5.6
MOX-RLPL2-470	47.0	.035	15.1	5.5
MOX-RLPL2-560	56.0	.039	13.6	5.5
MOX-RLPL2-680	68.0	.053	12.7	4.9
MOX-RLPL2-820	82.0	.060	11.3	4.8
MOX-RLPL2-101	100.0	.080	10.4	4.2
MOX-RLPL2-121	120.0	.090	9.4	4.1
MOX-RLPL2-151	150.0	.098	8.6	4.0
MOX-RLPL2-181	180.0	.110	7.8	4.0
MOX-RLPL2-221	220.0	.150	7.0	2.9
MOX-RLPL2-271	270.0	.213	6.3	2.3
MOX-RLPL2-331	330.0	.305	5.2	1.8
MOX-RLPL2-391	390.0	.320	4.9	1.7
MOX-RLPL2-471	470.0	.355	4.5	1.6
MOX-RLPL2-561	560.0	.388	4.1	1.6
MOX-RLPL2-681	680.0	.430	3.7	1.6
MOX-RLPL2-821	820.0	.590	3.4	1.5
MOX-RLPL2-102	1000.0	.818	3.1	1.3
MOX-RLPL2-122	1200.0	1.14	2.7	0.9
MOX-RLPL2-152	1500.0	1.26	2.4	0.8
MOX-RLPL2-182	1800.0	1.39	2.2	0.8
MOX-RLPL2-222	2200.0	1.54	2.0	0.8



ELECTRICAL SPECIFICATIONS

MoxiE Part Number	Inductance (μH)	DCR (Ω) Max.	Saturation Current	Rated Current (A)
MOX-RLPL3-1R0	1.0	.003	116.0	22.5
MOX-RLPL3-1R2	1.2	.003	116.0	22.5
MOX-RLPL3-1R5	1.5	.003	116.0	21.5
MOX-RLPL3-1R8	1.8	.003	90.0	21.5
MOX-RLPL3-2R2	2.2	.003	90.0	21.5
MOX-RLPL3-2R7	2.7	.003	74.0	21.5
MOX-RLPL3-3R3	3.3	.003	74.0	21.5
MOX-RLPL3-3R9	3.9	.003	62.0	21.0
MOX-RLPL3-4R7	4.7	.003	54.0	21.0
MOX-RLPL3-5R6	5.6	.003	54.0	21.0
MOX-RLPL3-6R8	6.8	.004	47.0	21.0
MOX-RLPL3-8R2	8.2	.004	42.0	21.0
MOX-RLPL3-100	10.0	.006	38.0	18.0
MOX-RLPL3-120	12.0	.008	35.0	14.0
MOX-RLPL3-150	15.0	.009	32.0	13.8
MOX-RLPL3-180	18.0	.010	29.0	13.7
MOX-RLPL3-220	22.0	.011	25.0	13.5
MOX-RLPL3-270	27.0	.012	23.0	13.5
MOX-RLPL3-330	33.0	.017	20.0	13.5
MOX-RLPL3-390	39.0	.022	19.1	12.5
MOX-RLPL3-470	47.0	.024	19.0	9.5
MOX-RLPL3-560	56.0	.026	17.5	9.5
MOX-RLPL3-680	68.0	.029	15.6	9.3
MOX-RLPL3-820	82.0	.032	14.0	9.0
MOX-RLPL3-101	100.0	.034	13.2	9.0
MOX-RLPL3-121	120.0	.046	12.1	7.5
MOX-RLPL3-151	150.0	.064	10.8	5.7
MOX-RLPL3-181	180.0	.072	9.7	5.5
MOX-RLPL3-221	220.0	.080	8.7	5.5
MOX-RLPL3-271	270.0	.110	7.9	4.7
MOX-RLPL3-331	330.0	.122	7.1	4.5
MOX-RLPL3-391	390.0	.169	6.7	4.2
MOX-RLPL3-471	470.0	.187	6.0	4.0
MOX-RLPL3-561	560.0	.205	5.5	4.0
MOX-RLPL3-681	680.0	.256	5.0	3.0
MOX-RLPL3-821	820.0	.288	4.5	2.8
MOX-RLPL3-102	1000.0	.426	4.1	2.4
MOX-RLPL3-122	1200.0	.462	3.7	2.2
MOX-RLPL3-152	1500.0	.518	3.4	2.0
MOX-RLPL3-182	1800.0	.705	2.8	1.7
MOX-RLPL3-222	2200.0	1.02	2.5	1.5
MOX-RLPL3-272	2700.0	1.14	2.3	1.4
MOX-RLPL3-332	3300.0	1.27	2.0	1.3
MOX-RLPL3-392	3900.0	1.67	1.8	1.2
MOX-RLPL3-472	4700.0	1.86	1.7	1.0



ELECTRICAL SPECIFICATIONS

MoxiE Part Number	Inductance (μH)	DCR (Ω) Max.	Saturation Current	Rated Current (A)
MOX-RLPL4-1R8	1.8	.002	150.0	27.5
MOX-RLPL4-2R2	2.2	.002	150.0	27.5
MOX-RLPL4-4R7	2.7	.003	115.0	27.5
MOX-RLPL4-3R3	3.3	.003	115.0	27.5
MOX-RLPL4-3R9	3.9	.003	95.0	27.5
MOX-RLPL4-4R7	4.7	.003	95.0	27.5
MOX-RLPL4-5R6	5.6	.004	79.0	27.5
MOX-RLPL4-6R8	6.8	.004	79.0	27.0
MOX-RLPL4-8R2	8.2	.004	69.0	27.0
MOX-RLPL4-100	10.0	.005	61.0	27.0
MOX-RLPL4-120	12.0	.005	55.0	27.0
MOX-RLPL4-150	15.0	.006	49.0	27.0
MOX-RLPL4-180	18.0	.008	41.0	27.0
MOX-RLPL4-220	22.0	.009	38.0	24.0
MOX-RLPL4-270	27.0	.010	36.0	23.0
MOX-RLPL4-330	33.0	.011	31.0	22.0
MOX-RLPL4-390	39.0	.012	28.0	21.0
MOX-RLPL4-470	47.0	.018	27.0	14.5
MOX-RLPL4-560	56.0	.019	26.1	14.5
MOX-RLPL4-680	68.0	.021	24.4	14.5
MOX-RLPL4-820	82.0	.023	22.4	14.5
MOX-RLPL4-101	100.0	.025	20.0	14.5
MOX-RLPL4-121	120.0	.028	18.0	14.5
MOX-RLPL4-151	150.0	.040	16.4	11.5
MOX-RLPL4-181	180.0	.045	14.6	11.6
MOX-RLPL4-221	220.0	.050	13.2	11.5
MOX-RLPL4-271	270.0	.056	11.8	11.4
MOX-RLPL4-331	330.0	.074	11.4	11.4
MOX-RLPL4-391	390.0	.082	10.1	9.5
MOX-RLPL4-471	470.0	.114	9.2	7.2
MOX-RLPL4-561	560.0	.125	8.3	7.2
MOX-RLPL4-681	680.0	.139	7.6	7.2
MOX-RLPL4-821	820.0	.154	6.8	7.2
MOX-RLPL4-102	1000.0	.216	6.2	5.5
MOX-RLPL4-122	1200.0	.232	5.7	5.5
MOX-RLPL4-152	1500.0	.324	5.1	4.5
MOX-RLPL4-182	1800.0	.360	4.6	4.5
MOX-RLPL4-222	2200.0	.494	4.2	4.0
MOX-RLPL4-272	2700.0	.555	3.8	4.0
MOX-RLPL4-332	3300.0	.773	3.4	2.8
MOX-RLPL4-392	3900.0	.845	3.1	2.8
MOX-RLPL4-472	4700.0	1.14	2.9	2.0
MOX-RLPL4-562	5600.0	1.60	2.5	2.0
MOX-RLPL4-682	6800.0	1.76	2.3	1.6
MOX-RLPL4-822	8200.0	1.95	2.0	1.6
MOX-RLPL4-103	10000.0	2.76	1.8	1.3
MOX-RLPL4-123	12000.0	3.04	1.7	1.3
MOX-RLPL4-153	15000.0	3.39	1.5	1.3



ELECTRICAL SPECIFICATIONS

MoxiE Part Number	Inductance (μH)	DCR (Ω) Max.	Saturation Current	Rated Current (A)
MOX-RLPL5-1R8	1.8	.002	155.0	35.5
MOX-RLPL5-2R2	2.2	.002	155.0	35.5
MOX-RLPL5-2R7	2.7	.002	125.0	35.5
MOX-RLPL5-3R3	3.3	.002	125.0	35.5
MOX-RLPL5-3R9	3.9	.003	102.0	35.5
MOX-RLPL5-4R7	4.7	.003	87.0	35.5
MOX-RLPL5-5R6	5.6	.003	87.0	35.0
MOX-RLPL5-6R8	6.8	.003	87.0	35.0
MOX-RLPL5-8R2	8.2	.003	76.0	35.0
MOX-RLPL5-100	10.0	.004	67.0	35.0
MOX-RLPL5-120	12.0	.004	60.0	35.0
MOX-RLPL5-150	15.0	.005	49.0	35.0
MOX-RLPL5-180	18.0	.007	45.0	28.0
MOX-RLPL5-220	22.0	.007	42.0	28.0
MOX-RLPL5-270	27.0	.008	35.0	28.0
MOX-RLPL5-330	33.0	.009	34.0	27.0
MOX-RLPL5-390	39.0	.010	30.0	27.0
MOX-RLPL5-470	47.0	.011	28.0	27.0
MOX-RLPL5-560	56.0	.013	26.0	23.0
MOX-RLPL5-680	68.0	.015	23.0	23.0
MOX-RLPL5-820	82.0	.017	20.0	21.0
MOX-RLPL5-101	100.0	.018	19.0	21.0
MOX-RLPL5-121	120.0	.022	18.0	18.0
MOX-RLPL5-151	150.0	.025	16.0	17.0
MOX-RLPL5-181	180.0	.035	14.0	13.5
MOX-RLPL5-221	220.0	.040	13.0	13.5
MOX-RLPL5-271	270.0	.044	11.0	13.5
MOX-RLPL5-331	330.0	.049	10.0	13.5
MOX-RLPL5-391	390.0	.070	9.7	11.4
MOX-RLPL5-471	470.0	.078	8.8	11.4
MOX-RLPL5-561	560.0	.105	8.1	9.0
MOX-RLPL5-681	680.0	.115	7.4	9.0
MOX-RLPL5-821	820.0	.127	6.7	9.0
MOX-RLPL5-102	1000.0	.176	6.1	7.2
MOX-RLPL5-122	1200.0	.195	5.5	7.2
MOX-RLPL5-152	1500.0	.274	5.0	5.5
MOX-RLPL5-182	1800.0	.302	4.5	5.5
MOX-RLPL5-222	2200.0	.338	4.1	5.5
MOX-RLPL5-272	2700.0	.459	3.7	4.5
MOX-RLPL5-332	3300.0	.642	3.4	4.0
MOX-RLPL5-392	3900.0	.699	3.0	4.0
MOX-RLPL5-472	4700.0	.775	2.8	4.0
MOX-RLPL5-562	5600.0	.843	2.6	4.0
MOX-RLPL5-682	6800.0	1.15	2.3	2.8
MOX-RLPL5-822	8200.0	1.26	2.1	2.8
MOX-RLPL5-103	10000.0	1.74	1.9	2.0
MOX-RLPL5-123	12000.0	1.92	1.7	2.0
MOX-RLPL5-153	15000.0	2.17	1.5	2.0



ELECTRICAL SPECIFICATIONS

MoxiE Part Number	Inductance (μH)	DCR (Ω) Max.	Saturation Current	Rated Current (A)
MOX-RLPL6-4R7	4.7	.002	149.9	35.5
MOX-RLPL6-5R6	5.6	.002	122.7	35.5
MOX-RLPL6-6R8	6.8	.003	103.8	35.5
MOX-RLPL6-8R2	8.2	.003	90.0	35.5
MOX-RLPL6-100	10.0	.003	79.4	35.5
MOX-RLPL6-120	12.0	.004	71.0	35.0
MOX-RLPL6-150	15.0	.004	64.3	35.0
MOX-RLPL6-180	18.0	.005	58.7	35.0
MOX-RLPL6-220	22.0	.005	54.0	35.0
MOX-RLPL6-270	27.0	.006	50.0	35.0
MOX-RLPL6-330	33.0	.006	46.5	35.0
MOX-RLPL6-390	39.0	.006	43.5	35.0
MOX-RLPL6-470	47.0	.008	40.9	35.0
MOX-RLPL6-560	56.0	.009	36.5	35.0
MOX-RLPL6-680	68.0	.009	32.9	35.0
MOX-RLPL6-820	82.0	.010	30.0	34.5
MOX-RLPL6-101	100.0	.014	26.5	28.0
MOX-RLPL6-121	120.0	.015	24.5	27.0
MOX-RLPL6-151	150.0	.023	21.4	23.0
MOX-RLPL6-181	180.0	.025	19.5	21.0
MOX-RLPL6-221	220.0	.028	18.0	21.0
MOX-RLPL6-271	270.0	.030	16.2	21.0
MOX-RLPL6-331	330.0	.040	14.8	18.0
MOX-RLPL6-391	390.0	.055	13.6	14.0
MOX-RLPL6-471	470.0	.061	12.3	13.5
MOX-RLPL6-561	560.0	.068	11.3	13.5
MOX-RLPL6-681	680.0	.094	10.3	11.4
MOX-RLPL6-821	820.0	.104	9.4	11.4
MOX-RLPL6-102	1000.0	.143	8.5	10.0
MOX-RLPL6-122	1200.0	.156	7.7	9.0
MOX-RLPL6-152	1500.0	.219	6.8	7.5
MOX-RLPL6-182	1800.0	.241	6.3	7.2
MOX-RLPL6-222	2200.0	.270	5.7	7.2
MOX-RLPL6-272	2700.0	.364	5.1	5.7
MOX-RLPL6-332	3300.0	.498	4.6	4.5
MOX-RLPL6-392	3900.0	.548	4.2	4.5
MOX-RLPL6-472	4700.0	.608	3.9	4.5
MOX-RLPL6-562	5600.0	.671	3.5	4.5
MOX-RLPL6-682	6800.0	.750	3.2	4.5
MOX-RLPL6-822	8200.0	1.03	2.9	4.3
MOX-RLPL6-103	10000.0	1.16	2.6	4.0
MOX-RLPL6-123	12000.0	1.54	2.4	2.9
MOX-RLPL6-153	15000.0	1.75	2.2	2.8
MOX-RLPL6-183	18000.0	1.94	2.0	2.8
MOX-RLPL6-223	22000.0	2.74	1.8	2.0
MOX-RLPL6-273	27000.0	3.71	1.6	1.8
MOX-RLPL6-333	33000.0	4.16	1.5	1.7
MOX-RLPL6-393	39000.0	5.56	1.4	1.5
MOX-RLPL6-473	47000.0	6.19	1.2	1.4



ELECTRICAL SPECIFICATIONS

MoxiE Part Number	Inductance (μH)	DCR (Ω) Max.	Saturation Current	Rated Current (A)
MOX-RLPL7-5R6	5.6	.0018	200.0	46
MOX-RLPL7-6R8	6.8	.0021	163.0	46
MOX-RLPL7-8R2	8.2	.0022	163.0	46
MOX-RLPL7-100	10.0	.0024	138.0	45.5
MOX-RLPL7-120	12.0	.0025	120.0	45.5
MOX-RLPL7-150	15.0	.0028	105.0	43
MOX-RLPL7-180	18.0	.0032	94.0	40
MOX-RLPL7-220	22.0	.0036	85.0	39
MOX-RLPL7-270	27.0	.0042	78.0	38
MOX-RLPL7-330	33.0	.0045	72.0	37
MOX-RLPL7-390	39.0	.0048	66.0	36
MOX-RLPL7-470	47.0	.0057	58.0	35
MOX-RLPL7-560	56.0	.0069	54.0	35
MOX-RLPL7-680	68.0	.0078	48.0	35
MOX-RLPL7-820	82.0	.0093	43.0	35
MOX-RLPL7-101	100.0	.0103	40.0	27
MOX-RLPL7-121	120.0	.0108	36.0	27
MOX-RLPL7-151	150.0	.0120	32.0	25
MOX-RLPL7-181	180.0	.0156	31.0	23
MOX-RLPL7-221	220.0	.0168	28.0	22
MOX-RLPL7-271	270.0	.0228	24.0	21.0
MOX-RLPL7-331	330.0	.0300	23.0	17.0
MOX-RLPL7-391	390.0	.0432	21.0	13.5
MOX-RLPL7-471	470.0	.0456	19.7	13.5
MOX-RLPL7-561	560.0	.0480	17.4	13.5
MOX-RLPL7-681	680.0	.0516	15.9	12.0
MOX-RLPL7-821	820.0	.0648	14.0	11.5
MOX-RLPL7-102	1000.0	.0936	12.7	10.0
MOX-RLPL7-122	1200.0	.1020	11.9	9.5
MOX-RLPL7-152	1500.0	.1176	10.9	8.0
MOX-RLPL7-182	1800.0	.1536	10.1	7.5
MOX-RLPL7-222	2200.0	.2160	8.9	7.2
MOX-RLPL7-272	2700.0	.2424	8.0	6.0
MOX-RLPL7-332	3300.0	.2640	7.1	5.5
MOX-RLPL7-392	3900.0	.3480	6.8	5.2
MOX-RLPL7-472	4700.0	.3924	6.1	5.0
MOX-RLPL7-562	5600.0	.4320	5.6	4.7
MOX-RLPL7-682	6800.0	.5940	5.0	4.5
MOX-RLPL7-822	8200.0	.6600	4.6	4.0
MOX-RLPL7-103	10000.0	.7560	4.0	4.0
MOX-RLPL7-123	12000.0	.9840	3.7	3.5
MOX-RLPL7-153	15000.0	1.416	3.0	2.8
MOX-RLPL7-183	18000.0	1.524	2.8	2.8
MOX-RLPL7-223	22000.0	1.800	2.7	2.3
MOX-RLPL7-273	27000.0	2.376	2.5	2.0
MOX-RLPL7-333	33000.0	2.640	2.2	1.9
MOX-RLPL7-393	39000.0	3.576	2.1	1.6
MOX-RLPL7-473	47000.0	3.936	1.9	1.6
MOX-RLPL7-563	56000.0	4.320	1.7	1.5
MOX-RLPL7-683	68000.0	5.220	1.5	1.3



ELECTRICAL SPECIFICATIONS

MoxiE Part Number	Inductance (μH)	DCR (Ω) Max.	Saturation Current	Rated Current (A)
MOX-RLPL8-5R6	5.6	.0012	233	57
MOX-RLPL8-6R8	6.8	.0013	197	57
MOX-RLPL8-8R2	8.2	.0015	171	57
MOX-RLPL8-100	10.0	.0017	170	56
MOX-RLPL8-120	12.0	.0020	150	56
MOX-RLPL8-150	15.0	.0021	135	56
MOX-RLPL8-180	18.0	.0023	122	56
MOX-RLPL8-220	22.0	.0025	111	55
MOX-RLPL8-270	27.0	.0026	102	55
MOX-RLPL8-330	33.0	.0029	95	55
MOX-RLPL8-390	39.0	.0033	83	55
MOX-RLPL8-470	47.0	.0035	77	55
MOX-RLPL8-560	56.0	.0039	69	55
MOX-RLPL8-680	68.0	.0043	62	52
MOX-RLPL8-820	82.0	.0048	57	45
MOX-RLPL8-101	100.0	.0052	52	41
MOX-RLPL8-121	120.0	.0071	48	39
MOX-RLPL8-151	150.0	.0079	43	38
MOX-RLPL8-181	180.0	.0087	39	37
MOX-RLPL8-221	220.0	.0120	35	35
MOX-RLPL8-271	270.0	.014	32	30
MOX-RLPL8-331	330.0	.018	29	28
MOX-RLPL8-391	390.0	.020	27	25
MOX-RLPL8-471	470.0	.028	24	21
MOX-RLPL8-561	560.0	.031	22	20
MOX-RLPL8-681	680.0	.034	20	19
MOX-RLPL8-821	820.0	.047	18	17
MOX-RLPL8-102	1000.0	.052	16	15.5
MOX-RLPL8-122	1200.0	.057	15	15
MOX-RLPL8-152	1500.0	.080	13	14
MOX-RLPL8-182	1800.0	.088	12	12
MOX-RLPL8-222	2200.0	.122	11	11
MOX-RLPL8-272	2700.0	.135	10	10
MOX-RLPL8-332	3300.0	.188	9	8
MOX-RLPL8-392	3900.0	.205	8	8
MOX-RLPL8-472	4700.0	.283	7.7	6.7
MOX-RLPL8-562	5600.0	.309	7.0	6.4
MOX-RLPL8-682	6800.0	.431	6.4	5.4
MOX-RLPL8-822	8200.0	.472	5.8	5.2
MOX-RLPL8-103	10000.0	.521	5.2	5.0
MOX-RLPL8-123	12000.0	.717	4.8	4.2
MOX-RLPL8-153	15000.0	.803	4.3	4.0
MOX-RLPL8-183	18000.0	1.111	3.9	3.4
MOX-RLPL8-223	22000.0	1.228	3.5	3.2
MOX-RLPL8-273	27000.0	1.716	3.2	2.7
MOX-RLPL8-333	33000.0	1.896	2.9	2.6
MOX-RLPL8-393	39000.0	2.590	2.6	2.3
MOX-RLPL8-473	47000.0	2.840	2.4	2.2
MOX-RLPL8-563	56000.0	3.104	2.2	2.1
MOX-RLPL8-683	68000.0	4.331	2.0	1.7
MOX-RLPL8-823	82000.0	4.756	1.8	1.6
MOX-RLPL8-104	100000.0	6.652	1.6	1.4



ENGINEERING DATA

- Epoxy coated cores
- Inductance $\pm 10\%$ measured at 1KHz, values below $10\mu\text{H}$ $\pm 20\%$
- 1000VAC RMS Hi-Pot.
- RoHS Compliant.
- Operating temperature range -40°C to $+85^{\circ}\text{C}$.
- All electrical specifications are at 25°C .
- Spacer available at additional cost to facilitate PC board washing.
- MoxiE Inductor Corporation specifications are subject to change without notice.
- MoxiE Inductor Corporation custom designed products are subject to United States Copyright and or patent protection(s)