

# MOX-SMHC3 SERIES



**MoxiE**<sup>®</sup>  
INDUCTOR CORPORATION

## Surface Mount High Current Unshielded Power Inductors

MoxiE's MOX-SMHC3 series of surface mount high current power inductors are specially engineered for high current, low voltage DC-DC converter applications. The industrial grade rugged design provides current ranges normally only available with larger packages.

### Features:

- Low cost.
- High current & low voltage.
- RoHS compliant.
- MoxiE Inductor corporation custom designs available.

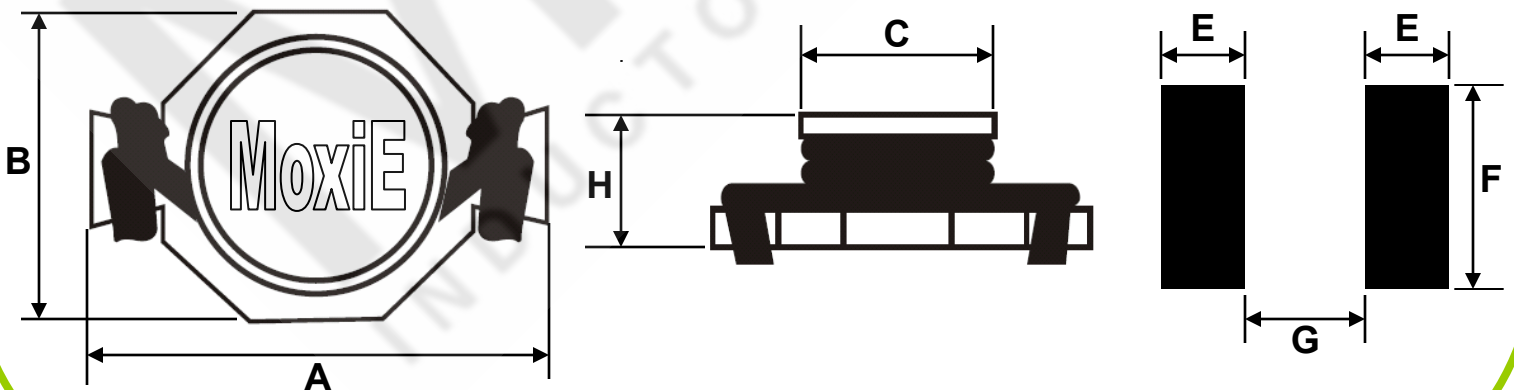


## PART NUMBERS

MOXIE PART NUMBER	A (MAX.)	B (MAX.)	C (MAX.)	H (MAX.)	E (REF.)	F (REF.)	G (REF.)
MOX-SMHC3	19.30	13.21	5.00	6.80	3.80	8.70	11.70



## MECHANICAL DIMENSIONS





## ELECTRICAL SPECIFICATIONS @ 25°C

MoxiE Part Number	Inductance (μH)	OCL (μH ± 20%)	IRMS (Amps)	ISAT (Amps)	DCR (Ω Max.)
MOX-SMHC3-R47M	0.47	0.452	16.2	25.5	0.0021
MOX-SMHC3-1R0M	1.0	1.34	12.7	15.7	0.0034
MOX-SMHC3-1R5M	1.5	2.08	10.2	12.5	0.0053
MOX-SMHC3-2R2M	2.2	3.01	9.5	10.4	0.0074
MOX-SMHC3-3R3M	3.3	3.96	8.3	9.4	0.0083
MOX-SMHC3-4R7M	4.7	5.00	6.7	7.8	0.0114
MOX-SMHC3-6R8M	6.8	7.70	5.9	6.4	0.0183
MOX-SMHC3-100M	10.0	11.00	4.5	5.3	0.0260
MOX-SMHC3-150M	15.0	16.38	4.1	4.4	0.0317
MOX-SMHC3-220M	22.0	23.93	3.5	3.9	0.0490
MOX-SMHC3-330M	33.0	33.85	2.5	3.2	0.0688
MOX-SMHC3-470M	47.0	51.00	2.2	2.7	0.1082
MOX-SMHC3-680M	68.0	69.50	1.8	2.4	0.1558
MOX-SMHC3-101M	100.0	101.40	1.6	1.9	0.2053
MOX-SMHC3-151M	150.0	152.9	1.4	1.5	0.2960
MOX-SMHC3-331M	330.0	332.80	0.79	0.99	0.7330



## PACKAGING

MOXIE PART NUMBER	Packaging	Reel Size	Quantity Per Reel
MOX-SMHC3	Tape & Reel	330 x 32	350

### MOXIE NOTES:

- Inductance instrument testing : HP4286A/CH1062A LCR meter.
- Inductance test condition: 100KHz @ 1KHz.
- DCR instrument testing: TH2512B or MoxiE equivalent DCR testing equipment.
- Rated current testing: VR7210 & VR113H.
- Rated current definition: Inductance drop by 25% or when temperature rises by 40°C (the lesser of the minimum as the rated current.)
- Operating temperature: -40°C to +85°C.
- Storage temperature: -40°C to +125°C.
- Moxie Inductor Corporation specifications are subject to change without notice.