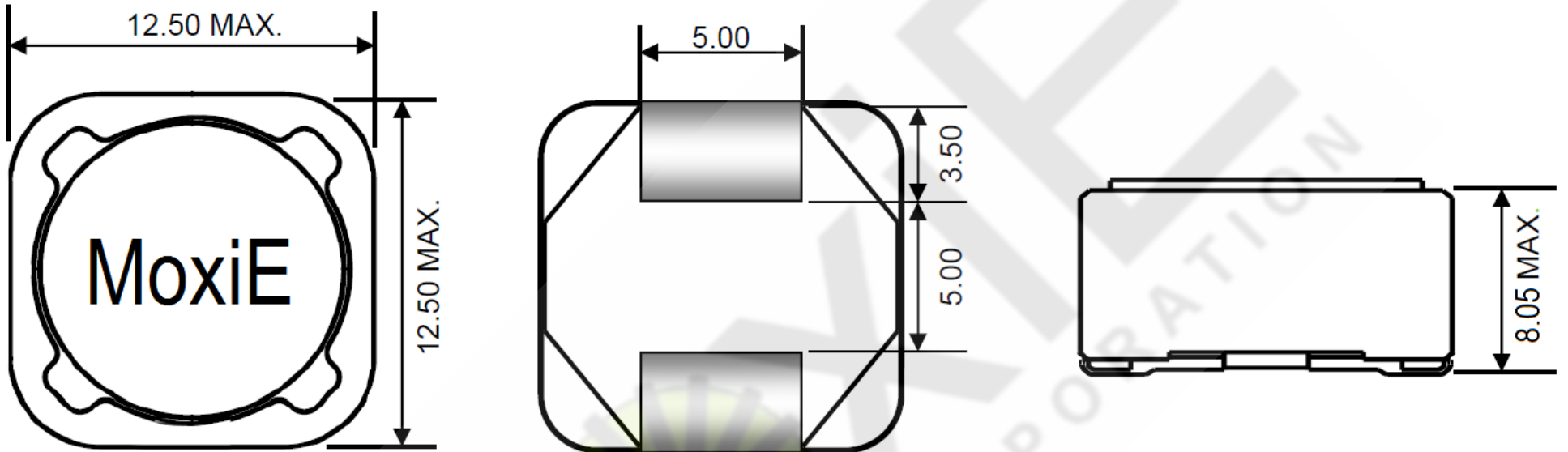


MECHANICAL (MM)



MOXIE NOTES:

- Operating temperature: -40°C to $+85^{\circ}\text{C}$.
- Storage temperature: -40°C to $+125^{\circ}\text{C}$.
- Resistance to soldering heat: $+260^{\circ}\text{C}$ maximum for three 40 second reflows.
- RoHS Compliant.
- MoxiE Inductor Corporation custom designs are subject to United States copyright and or patent protection(s).
- MoxiE Inductor Corporation specifications are subject to change without notice.
- Tolerances unless otherwise specified: $0\sim 10=\pm 0.15$, $10\sim 20=\pm 0.20$, $20\sim 40=\pm 0.25$, $40\sim 70=\pm 0.30$, $\geq 70=\pm 0.40$

MoxiE
INDUCTOR CORPORATION

(888)535.5207 WWW.MOXIEINDUCTORS.COM

SMD SHIELDED POWER INDUCTORS

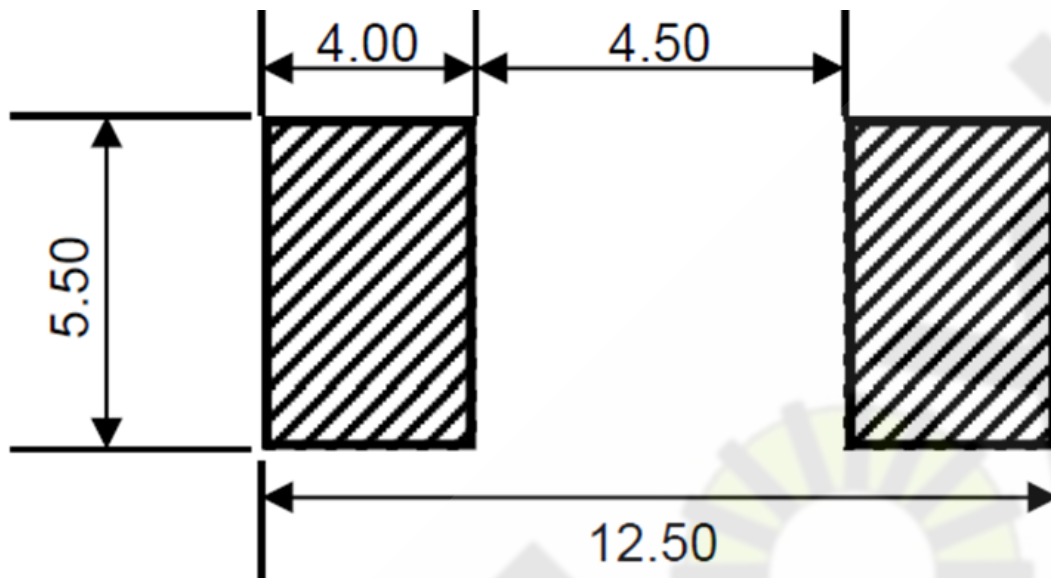
MOXIE MOX-SPI-1205R SERIES

PAGE 1/3

REV. A

DWG NUMBER: MOXSPI1205R

PCB PATTERN (MM)



CONSTRUCTION

MOXIE NOTES:

- Operating temperature: -40°C to $+85^{\circ}\text{C}$.
- Storage temperature: -40°C to $+125^{\circ}\text{C}$.
- Resistance to soldering heat: $+260^{\circ}\text{C}$ maximum for three 40 second reflows.
- RoHS Compliant.
- MoxiE Inductor Corporation custom designs are subject to United States copyright and or patent protection(s).
- MoxiE Inductor Corporation specifications are subject to change without notice.
- Tolerances unless otherwise specified: $0\sim 10=\pm 0.15$, $10\sim 20=\pm 0.20$, $20\sim 40=\pm 0.25$, $40\sim 70=\pm 0.30$, $\geq 70=\pm 0.40$

MoxiE
INDUCTOR CORPORATION

(888)535.5207 WWW.MOXIEINDUCTORS.COM

SMD SHIELDED POWER INDUCTORS

MOXIE MOX-SPI-1205R SERIES

PAGE 2/3

REV. A

DWG NUMBER: MOXSPI1205R

ELECTRICAL @ 25°C

MOXIE PART NUMBER	INDUCTANCE (μH)	DCR (mΩ) TYP.	DCR (mΩ) MAX.	SRF (MHz) TYP.	ISAT (A) 10% DROP	ISAT (A) 20% DROP	ISAT (A) 30% DROP	IRMS (A) 20°C	IRMS (A) 40°C
MOX-SPI-1205R-1R4M	1.4±20%	8.8	9.8	80.0	25.2	28.6	30.5	7.10	10.00
MOX-SPI-1205R-4R7M	4.7±20%	13.9	15.5	30.0	13.7	15.2	15.9	4.40	6.20
MOX-SPI-1205R-5R6M	5.6±20%	15.7	17.5	24.0	12.2	13.7	14.5	4.30	6.20
MOX-SPI-1205R-6R8M	6.8±20%	19.1	21.3	21.0	11.3	12.7	13.7	4.20	6.00
MOX-SPI-1205R-8R2M	8.2±20%	20.3	22.6	20.0	10.1	11.5	12.3	4.10	5.90
MOX-SPI-1205R-100M	10 ±20%	21.8	24.3	17.0	9.36	10.6	11.4	4.05	5.70
MOX-SPI-1205R-120M	12 ±20%	23.2	25.8	15.0	8.84	10.0	10.7	3.70	5.20
MOX-SPI-1205R-150M	15 ±20%	27.9	31.0	13.0	7.30	8.36	9.00	3.50	4.90
MOX-SPI-1205R-180M	18 ±20%	30.8	34.3	12.0	6.10	7.10	7.74	3.05	4.50
MOX-SPI-1205R-220M	22 ±20%	35.5	39.5	11.0	6.04	6.78	7.24	2.90	4.00
MOX-SPI-1205R-270M	27 ±20%	45.0	50.0	10.0	5.80	6.56	7.02	2.60	3.60
MOX-SPI-1205R-330M	33 ±20%	61.9	68.8	9.5	5.22	5.90	6.35	2.35	3.10
MOX-SPI-1205R-390M	39 ±20%	69.1	76.8	8.5	4.68	5.42	5.80	2.10	3.00
MOX-SPI-1205R-470M	47 ±20%	72.3	80.4	7.5	4.40	5.02	5.34	2.05	2.90
MOX-SPI-1205R-560M	56 ±20%	80.2	89.2	7.0	4.02	4.60	4.90	1.90	2.70
MOX-SPI-1205R-680M	68 ±20%	91.3	101.5	6.5	3.40	3.86	4.26	1.85	2.60
MOX-SPI-1205R-820M	82 ±20%	125.9	139.9	5.0	3.12	3.58	3.80	1.60	2.30
MOX-SPI-1205R-101M	100±20%	135.1	150.2	4.5	2.88	3.28	3.52	1.50	2.20
MOX-SPI-1205R-121M	120±10%	182.3	202.6	4.3	2.62	3.00	3.24	1.40	1.90
MOX-SPI-1205R-151M	150±10%	216.5	240.6	4.1	2.48	2.86	3.02	1.35	1.80
MOX-SPI-1205R-181M	180±10%	229.0	254.5	4.0	2.26	2.58	2.74	1.25	1.70
MOX-SPI-1205R-221M	220±10%	323.6	359.6	3.4	1.96	2.22	2.37	1.00	1.60
MOX-SPI-1205R-271M	270±10%	415.6	461.8	3.1	1.74	2.04	2.18	0.90	1.20
MOX-SPI-1205R-331M	330±10%	487.3	541.5	2.9	1.66	1.86	2.00	0.84	1.00
MOX-SPI-1205R-391M	390±10%	533.6	592.9	2.7	1.52	1.72	1.88	0.75	1.00
MOX-SPI-1205R-471M	470±10%	707.5	786.2	2.2	1.34	1.54	1.64	0.66	0.90
MOX-SPI-1205R-561M	560±10%	777.4	863.8	2.0	1.24	1.42	1.50	0.60	0.80
MOX-SPI-1205R-681M	680±10%	1045	1162	1.7	1.16	1.28	1.38	0.55	0.75
MOX-SPI-1205R-821M	820±10%	1166	1296	1.4	1.04	1.16	1.27	0.52	0.70
MOX-SPI-1205R-102M	1000±10%	1334	1483	1.3	0.97	1.10	1.14	0.48	0.68

MOXIE NOTES:

- Operating temperature: -40°C to +85°C.
- Storage temperature: -40°C to +125°C.
- Resistance to soldering heat: +260°C maximum for three 40 second reflows.
- RoHS Compliant.
- MoxiE Inductor Corporation custom designs are subject to United States copyright and or patent protection(s).
- MoxiE Inductor Corporation specifications are subject to change without notice.
- Tolerances unless otherwise specified: 0~10=±0.15, 10~20=±0.20, 20~40=±0.25, 40~70=±0.30, ≥70=±0.40



(888)535.5207 WWW.MOXIEINDUCTORS.COM

SMD SHIELDED POWER INDUCTORS

MOXIE MOX-SPI-1205R SERIES

PAGE 3/3

REV. A

DWG NUMBER: MOXSPI1205R