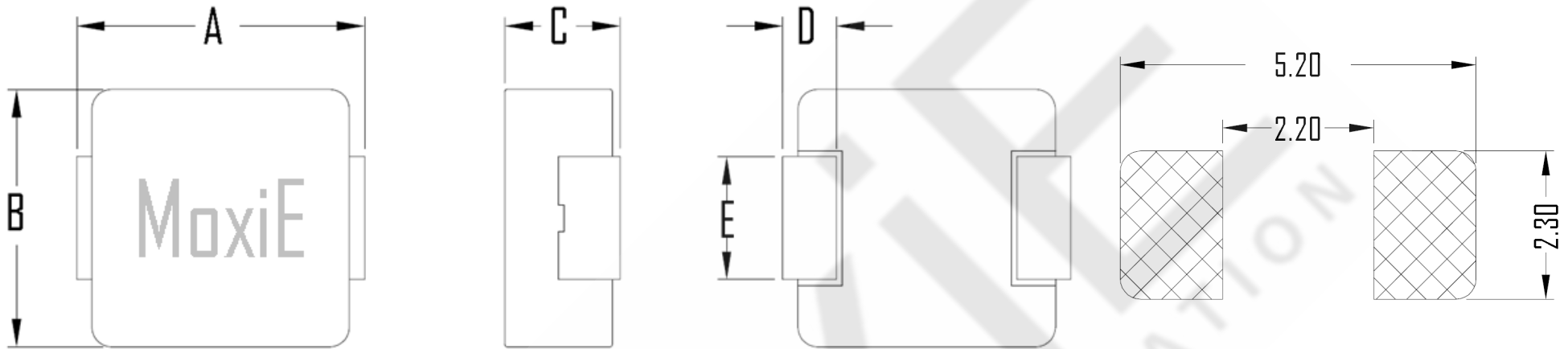


MECHANICAL (mm)



A	B	C	D	E
4.45 ± 0.25	4.06 ± 0.25	1.00 ± 0.2	0.76 ± 0.3	2.00 ± 0.2

MOXIE NOTES:

- Operating temperature: -55°C to +125°C.
- Storage temperature: -40°C to +85°C.
- Packaging: 4,000 pcs per reel
- All tests performed at 25°C ambient. (Test frequency @ 100KHz/IV)
- Humidity range: 50~60% RH (without tape and reel packaging)
- Heat rated current (I_{rms}): Will cause the coil temperature to rise approximately Δt of 40°C (1 minute)
- Saturation current (I_{sat}): Will cause L₀ to drop 20% typical.
- RoHS-6 peak wave solder temperature rating 260°C.
- RoHS Compliant.
- MoxiE Inductor Corporation custom designs are subject to United States copyright and or patent protection(s).
- MoxiE Inductor Corporation specifications are subject to change without notice.
- Tolerances unless otherwise specified: 0~10=±0.15, 10~20=±0.20, 20~40=±0.25, 40~70=±0.30, ≥70=±0.40

MoxiE
INDUCTOR CORPORATION

(888)535.5207 WWW.MOXIEINDUCTORS.COM

HIGH CURRENT SURFACE MOUNT POWER INDUCTOR

MOXIE MOX-SPI-1610-SERIES

PAGE 1/2

REV. A

DWG NUMBER: MOXSPI1610HG

ELECTRICAL @ 25°C

MOXIE PART NUMBER	INDUCTANCE (μH) @ 0 A	IRMS (A) TYP.	ISAT (A) TYP.	DCR (mΩ) TYP. @ 25°C	DCR (mΩ) MAX. @ 25°C
MOX-SPI-1610-R10M	0.10 ± 20%	11.70	25.50	4.30	5.50
MOX-SPI-1610-R22M	0.22 ± 20%	8.60	20.50	6.60	8.00
MOX-SPI-1610-R47M	0.47 ± 20%	6.10	6.70	18.00	20.00
MOX-SPI-1610-1R0M	1.00 ± 20%	4.10	6.10	40.00	47.00
MOX-SPI-1610-1R5M	1.50 ± 20%	3.20	4.20	54.00	63.20
MOX-SPI-1610-2R2M	2.20 ± 20%	2.90	3.70	68.50	78.00
MOX-SPI-1610-3R3M	3.30 ± 20%	2.40	3.10	83.00	97.00
MOX-SPI-1610-4R7M	4.70 ± 20%	2.10	2.70	126.00	144.00
MOX-SPI-1610-5R6M	5.60 ± 20%	1.75	2.40	178.00	207.00
MOX-SPI-1610-6R8M	6.80 ± 20%	1.55	1.80	295.00	358.00
MOX-SPI-1610-8R2M	8.20 ± 20%	1.45	1.70	310.00	375.00
MOX-SPI-1610-100M	10.00 ± 20%	1.35	1.50	408.00	462.00

MOXIE NOTES:

- Operating temperature: -55°C to +125°C.
- Storage temperature: -40°C to +85°C.
- Packaging: 4,000 pcs per reel
- All tests performed at 25°C ambient. (Test frequency @ 100KHz/1V)
- Humidity range: 50~60% RH (without tape and reel packaging)
- Heat rated current (Irms): Will cause the coil temperature to rise approximately Δt of 40°C (1 minute)
- Saturation current (Isat): Will cause LQ to drop 20% typical.
- RoHS-6 peak wave solder temperature rating 260°C.
- RoHS Compliant.
- MoxiE Inductor Corporation custom designs are subject to United States copyright and or patent protection(s).
- MoxiE Inductor Corporation specifications are subject to change without notice.



(888)535.5207 WWW.MOXIEINDUCTORS.COM

HIGH CURRENT SURFACE MOUNT POWER INDUCTOR

MOXIE MOX-SPI-1610-SERIES

PAGE 2/2

REV. A

DWG NUMBER: MOXSPI1610HG