

MOX-SPIL-0415 SERIES

MoxiE[®]
INDUCTOR CORPORATION

Ultra Low Profile Power Inductors

- Industrial operating temperature: -40°C to +105°C.
- Inductance range: 1.00μH to 100.00μH
- Power ratings of up to 3.65 amps.
- Ultra low profile design.
- Powder coated shielded center.
- Ferrite core.
- RoHS compliant.
- MoxiE custom designs available.

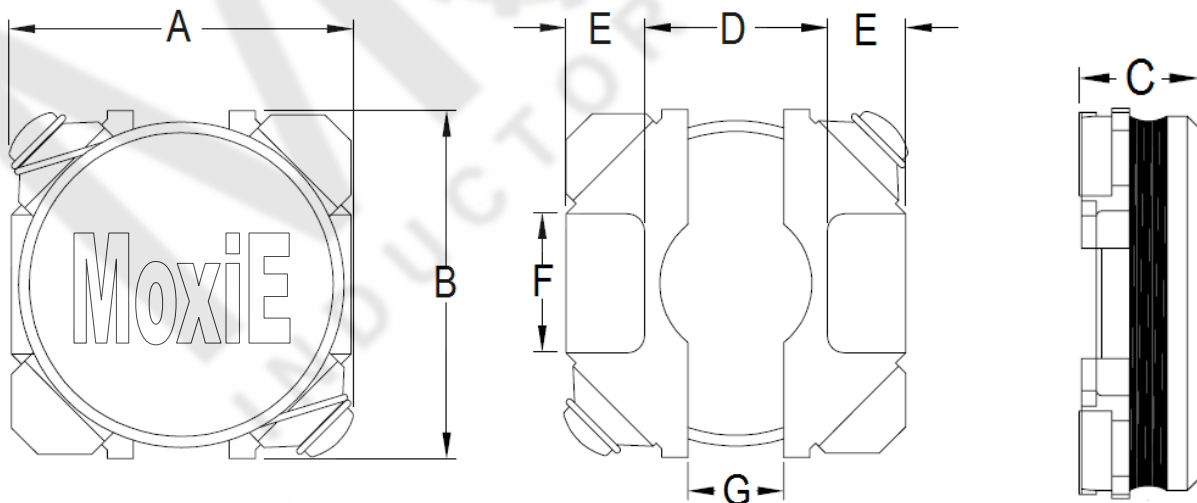


PART NUMBERS

A	B	C	D	E	F	G
4.00 ± 0.2	3.90 ± 0.2	1.50 MAX.	2.10 TYP.	0.96 TYP.	1.60 TYP.	1.10 TYP.



MECHANICAL DIMENSIONS





ELECTRICAL SPECIFICATIONS

MoxiE Part Number	Inductance (μH)	Tolerance (%)	Test Frequency	RDC $\pm 20\%$ ($\text{m}\Omega$)	IDC ¹ Max. (A)	IDC ² Max. (A)
MOX-SPIL-0415-1R0N	1.00	30%	0.1V/100KHz	47.0	3.65	1.90
MOX-SPIL-0415-1R5N	1.50	30%	0.1V/100KHz	55.0	2.95	1.75
MOX-SPIL-0415-2R2N	2.20	30%	0.1V/100KHz	65.0	2.55	1.65
MOX-SPIL-0415-3R3N	3.30	30%	0.1V/100KHz	92.0	2.25	1.50
MOX-SPIL-0415-4R7M	4.70	20%	0.1V/100KHz	119.0	1.95	1.35
MOX-SPIL-0415-5R6M	5.60	20%	0.1V/100KHz	118.0	1.92	1.32
MOX-SPIL-0415-6R8M	6.80	20%	0.1V/100KHz	117.0	1.90	1.30
MOX-SPIL-0415-100M	10.00	20%	0.1V/100KHz	200.0	1.15	1.07
MOX-SPIL-0415-150M	15.00	20%	0.1V/100KHz	205.0	1.13	1.08
MOX-SPIL-0415-220M	22.00	20%	0.1V/100KHz	210.0	1.12	1.05
MOX-SPIL-0415-470M	47.00	20%	0.1V/100KHz	215.0	1.10	1.02
MOX-SPIL-0415-101M	100.00	20%	0.1V/100KHz	220.0	1.10	1.00

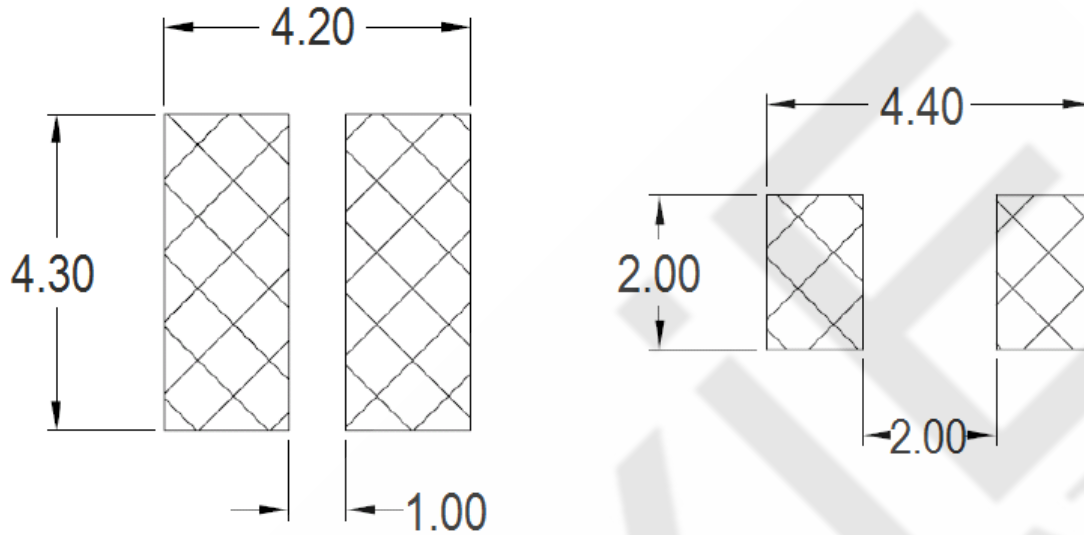
MoxiE Notes:

- IDC¹ is based on the inductance change ($\Delta L/L \leq 30\%$) at the ambient temperature of $+25^\circ\text{C}$.
- IDC² is based on the temperature rise (ΔT : $+40^\circ\text{C}$ typical)
- Rated current: IDC¹ or IDC² whichever value is less.
- Storage temperature: -40°C to $+105^\circ\text{C}$.
- Operating temperature: -40°C to $+105^\circ\text{C}$.
- Resistance to soldering heat: $+260^\circ\text{C}$ for ten (10) seconds.
- Measuring Frequency (L) 100 kHz.
- Available Tolerances: K= $\pm 10\%$, M= 20%
- MoxiE Inductor Corporation custom inductance values and tolerances available.
- MoxiE Inductor Corporation specifications are subject to change without notice.
- MoxiE Inductor Corporation custom designed products are subject to United States patent and or United States copyright protection(s).

MOX-SPIL-0415 SERIES



LANDING PATTERNS



PACKAGING

MOXIE PART NUMBER	PACKAGING	QUANTITY PER REEL
MOX-SPIL-0415 SERIES	TAPE & REEL	3000

