

# MOX-SPIL-0418 SERIES

**MoxiE**<sup>®</sup>  
INDUCTOR CORPORATION

## Ultra Low Profile Power Inductors

- Industrial operating temperature: -40°C to +105°C.
- Inductance range: 1.00μH to 100.00μH
- Power ratings of up to 4.80 amps.
- Ultra low profile design.
- Powder coated shielded center.
- Ferrite core.
- RoHS compliant.
- MoxiE custom designs available.

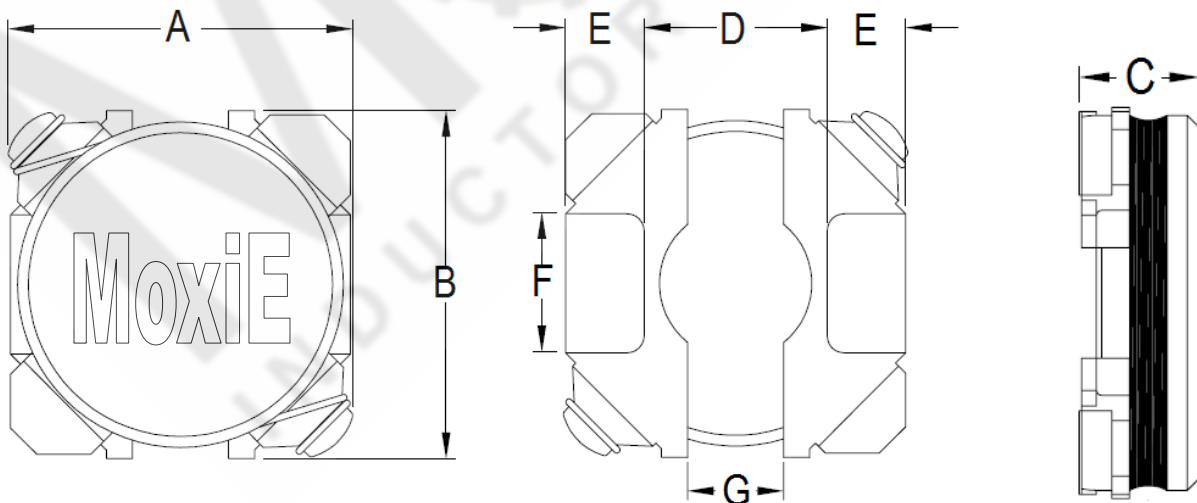


## PART NUMBERS

A	B	C	D	E	F	G
3.90± 0.2	3.90 ± 0.2	1.80 MAX.	2.10 TYP.	0.96 TYP.	1.60 TYP.	1.10 TYP.



## MECHANICAL DIMENSIONS





## ELECTRICAL SPECIFICATIONS

MoxiE Part Number	Inductance (μH)	Tolerance (%)	Test Frequency	RDC ±20% (mΩ)	IDC <sup>1</sup> Max. (A)	IDC <sup>2</sup> Max. (A)
MOX-SPIL-0418-1R0N	1.00	30%	0.1V/100KHz	50	4.80	1.95
MOX-SPIL-0418-1R5N	1.50	30%	0.1V/100KHz	60	3.90	1.80
MOX-SPIL-0418-1R8N	1.80	30%	0.1V/100KHz	65	3.50	1.75
MOX-SPIL-0418-2R2N	2.20	30%	0.1V/100KHz	74	3.40	1.70
MOX-SPIL-0418-3R3M	3.30	20%	0.1V/100KHz	97	2.80	1.55
MOX-SPIL-0418-4R7M	4.70	20%	0.1V/100KHz	120	2.40	1.40
MOX-SPIL-0418-6R8M	6.80	20%	0.1V/100KHz	170	1.90	1.25
MOX-SPIL-0418-100M	10.00	20%	0.1V/100KHz	240	1.60	1.10
MOX-SPIL-0418-220M	22.00	20%	0.1V/100KHz	490	1.20	0.72
MOX-SPIL-0418-470M	47.00	20%	0.1V/100KHz	1170	0.85	0.55
MOX-SPIL-0418-101M	100.00	20%	0.1V/100KHz	2170	0.55	0.35

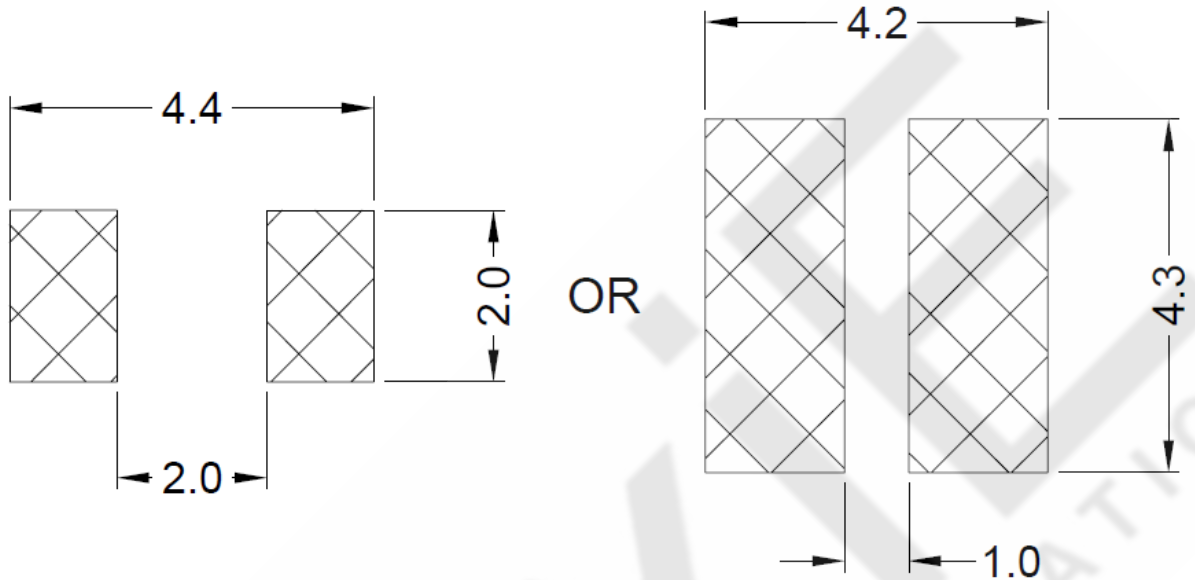
### MoxiE Notes:

- IDC<sup>1</sup> is based on the inductance change ( $\Delta L/L_0 \leq 30\%$ ) at the ambient temperature of +25°C.
- IDC<sup>2</sup> is based on the temperature rise ( $\Delta T$ : +40°C typical)
- Rated current: IDC<sup>1</sup> or IDC<sup>2</sup> whichever value is less.
- Storage temperature: -40°C to +105°C.
- Operating temperature: -40°C to +105°C.
- Resistance to soldering heat: +260°C for ten (10) seconds.
- Measuring Frequency (L) 100 kHz.
- Available Tolerances: M= ±20%, N= 30%
- MoxiE Inductor Corporation custom inductance values and tolerances available.
- MoxiE Inductor Corporation specifications are subject to change without notice.
- MoxiE Inductor Corporation custom designed products are subject to United States patent and or United States copyright protection(s).

# MOX-SPIL-0418 SERIES



## LANDING PATTERNS



## PACKAGING

MOXIE PART NUMBER	PACKAGING	QUANTITY PER REEL
MOX-SPIL-0418 SERIES	TAPE & REEL	3000

