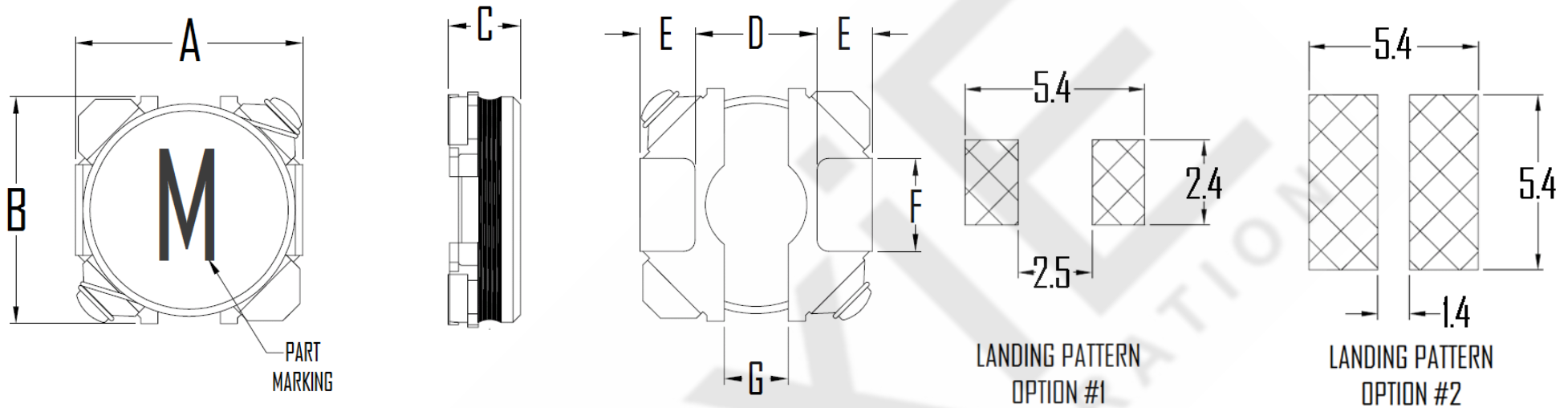


MECHANICAL (mm)



MOXIE PART NUMBER	DIMENSION A	DIMENSION B	DIMENSION C	DIMENSION D	DIMENSION E	DIMENSION F	DIMENSION G
MOX-SPIL-0520	5.00±0.20	4.90±0.20	2.00 MAX.	2.70 TYP.	1.16 TYP.	2.00 TYP.	1.50 TYP.

MOXIE NOTES:

- Packaging: Tape & Reel. (3,000 pieces per reel)
- Available tolerances: M=±20%, N=±30%.
- Operating temperature: -40°C to +105°C (Including self temperature rise)
- Resistance to soldering heat: 250°C for ten (10) seconds.
- Inductance measured on a HP LCR meter 4284A or MoxiE equivalent.
- DC resistance is measured on a HP4338B Milliohms meter or MoxiE equivalent.
- Rated current is measured by LCR meter 3260B (WK) & DC bias 3265B (WK)
- Rated current: Value obtained when the current and the temperature have risen to 40°C or when the DC current flows and the initial value of inductance has fallen by 35% (whichever is less)
- RoHS Compliant.
- MoxiE Inductor Corporation custom designs are subject to United States copyright and or patent protection(s).

MoxiE
INDUCTOR CORPORATION

(888)535.5207 WWW.MOXIEINDUCTORS.COM

SMD SHIELDED LOW PROFILE POWER INDUCTORS

MOXIE MOX-SPIL-0520 SERIES

PAGE 1/2

REV. B

DWG NUMBER: MOX-SPIL0520

ELECTRICAL @ 25°C

MoxiE Part Number	Inductance (μH)	Available Tolerances	Test Frequency	RDC (mΩ) ±20%	IDC1 (A)	IDC2 (A)	Part Marking
MOX-SPIL-0520-R47N	0.47	N (±30%)	0.1V/100KHz	41.00	7.70	2.65	G
MOX-SPIL-0520-1R0N	1.00	N (±30%)	0.1V/100KHz	47.00	5.70	2.15	A
MOX-SPIL-0520-1R2N	1.20	N (±30%)	0.1V/100KHz	56.00	4.80	2.00	B
MOX-SPIL-0520-1R5N	1.50	N (±30%)	0.1V/100KHz	64.00	4.30	1.85	C
MOX-SPIL-0520-2R2N	2.20	N (±30%)	0.1V/100KHz	75.00	3.50	1.75	E
MOX-SPIL-0520-3R3N	3.30	N (±30%)	0.1V/100KHz	86.00	2.90	1.70	G
MOX-SPIL-0520-3R9N	3.90	N (±30%)	0.1V/100KHz	95.00	2.70	1.65	H
MOX-SPIL-0520-4R7M	4.70	M (±20%)	0.1V/100KHz	0.10	2.50	1.55	I
MOX-SPIL-0520-5R6M	5.60	M (±20%)	0.1V/100KHz	0.12	2.40	1.50	J
MOX-SPIL-0520-6R8M	6.80	M (±20%)	0.1V/100KHz	0.13	2.30	1.40	K
MOX-SPIL-0520-100M	10.00	M (±20%)	0.1V/100KHz	0.16	2.10	1.25	M
MOX-SPIL-0520-150M	15.00	M (±20%)	0.1V/100KHz	0.22	1.60	1.10	0
MOX-SPIL-0520-220M	22.00	M (±20%)	0.1V/100KHz	0.33	1.25	0.90	Q
MOX-SPIL-0520-330M	33.00	M (±20%)	0.1V/100KHz	0.47	1.10	0.75	S
MOX-SPIL-0520-470M	47.00	M (±20%)	0.1V/100KHz	0.66	0.95	0.60	U
MOX-SPIL-0520-101M	100.00	M (±20%)	0.1V/100KHz	1.42	0.58	0.45	Y

MOXIE NOTES:

- Packaging: Tape & Reel. (3,000 pieces per reel)
- Available tolerances: M=±20%, N=±30%.
- Operating temperature: -40°C to +105°C (Including self temperature rise)
- Resistance to soldering heat: 250°C for ten (10) seconds.
- Inductance measured on a HP LCR meter 4284A or MoxiE equivalent.
- DC resistance is measured on a HP4338B Milliohms meter or MoxiE equivalent.
- Rated current is measured by LCR meter 3260B (WK) & DC bias 3265B (WK)
- Rated current: Value obtained when the current and the temperature have risen to 40°C or when the DC current flows and the initial value of inductance has fallen by 35% (whichever is less)
- RoHS Compliant.
- MoxiE Inductor Corporation custom designs are subject to United States copyright and or patent protection(s).



(888)535.5207 WWW.MOXIEINDUCTORS.COM

SMD SHIELDED LOW PROFILE POWER INDUCTORS

MOXIE MOX-SPIL-0520 SERIES

PAGE 2/2

REV. B

DWG NUMBER: MOX-SPIL0520