

# MOX-TRFH-3033 SERIES

**MoxiE**<sup>®</sup>  
INDUCTOR CORPORATION

## High Frequency Toroidal Transformers

- Engineered for lighting applications.
- Available in vertical and horizontal packages.
- Industrial operating temperature: -25°C to +105°C.
- Operating frequency of 20KHz ~ 300 KHz.
- Power ratings of 80W ~ 1000W.
- Meets Class B (130°C) requirements.
- RoHS compliant.
- MoxiE custom designs available.

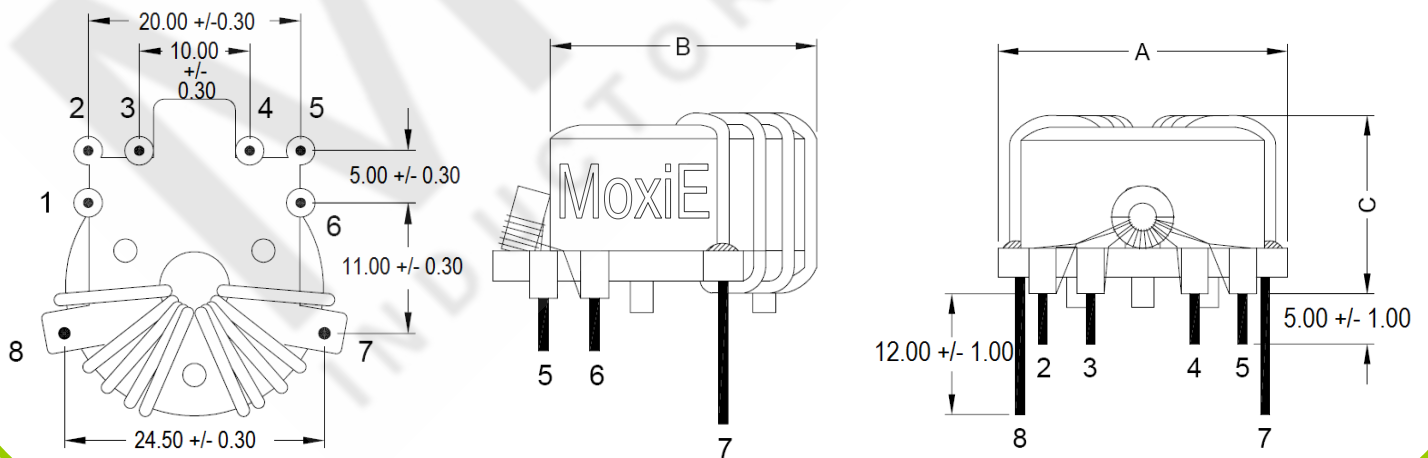


## PART NUMBERS

MOXIE PART NUMBER	A (MAX.)	B (MAX.)	C (MAX.)
MOX-TRFH-3033A	30.00	33.00	17.00
MOX-TRFH-3033B	30.00	33.00	26.00



## MECHANICAL DIMENSIONS





## ELECTRICAL SPECIFICATIONS

MoxiE Part Number	Electrical Specifications	Operating Temperature Range	Test Frequency	DCR ( $\Omega$ Max.)
MOX-TRFH-3033A	L : (4-3) = 16mH Min.	-25°C TO +105°C	10KHz / 50mV	(4-3) = 1.54 $\Omega$ Max. @ 25°C
	L : (5-6) = 11 $\mu$ H Min.	-25°C TO +105°C	10KHz / 50mV	(5-6) = 32.6m $\Omega$ Max. @ 25°C
	L : (2-1) = 11 $\mu$ H Min.	-25°C TO +105°C	10KHz / 50mV	(2-1) = 32.6m $\Omega$ Max. @ 25°C
	L : (8-7) = 210 $\mu$ H Min.	-25°C TO +105°C	10KHz / 50mV	(8-7) = 19.6m $\Omega$ Max. @ 25°C
MOX-TRFH-3033A	L : (4-3) = 17mH Min.	-25°C TO +105°C	10KHz / 50mV	(4-3) = 0.72 $\Omega$ Max. @ 25°C
	L : (5-6) = 47 $\mu$ H Min.	-25°C TO +105°C	10KHz / 50mV	(5-6) = 57.6m $\Omega$ Max. @ 25°C
	L : (2-1) = 47 $\mu$ H Min.	-25°C TO +105°C	10KHz / 50mV	(2-1) = 57.6m $\Omega$ Max. @ 25°C
	L : (8-7) = 200 $\mu$ H Min.	-25°C TO +105°C	10KHz / 50mV	(8-7) = 12.0m $\Omega$ Max. @ 25°C

### MoxiE Notes:

- RoHS compliant.
- MoxiE Inductor Corporation specifications are subject to change without notice.
- MoxiE Inductor Corporation customer designs available~contact your MoxiE sales representative for details.
- MoxiE Inductor Corporation custom products are subject to United States Copyright and or Patent protection(s).