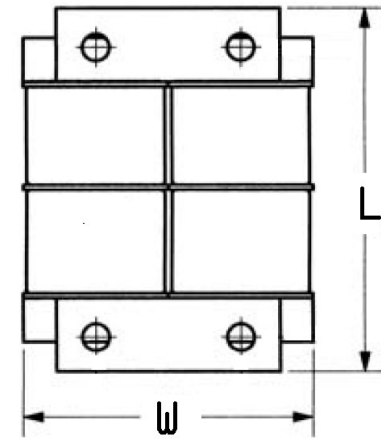
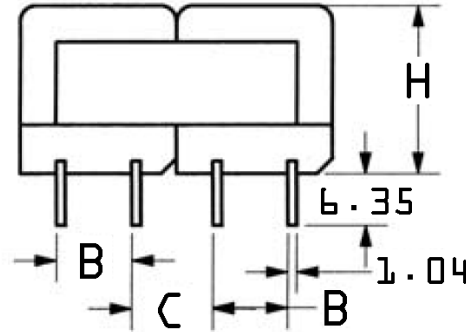
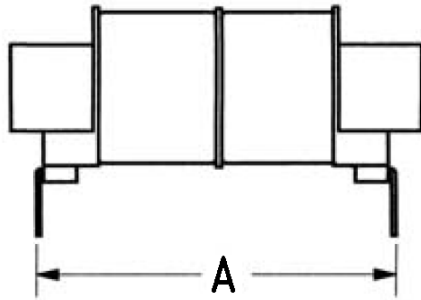


MECHANICAL (mm)



VA SIZE	A	B	C	H	L	W	NET WEIGHT
2	40.60	9.50	9.50	17.00	48.00	40.00	0.31 LBS
6	40.60	9.50	9.50	22.00	48.00	40.00	0.44 LBS
12	50.80	12.70	12.70	28.00	64.00	51.00	0.68 LBS
24	48.30	12.70	12.70	32.00	73.00	58.00	0.95 LBS
48	55.40	15.20	15.20	35.00	80.00	64.00	1.32 LBS

MOXIE NOTES:

- Low frequency, low profile, open style design, laminated.
- Dielectric strength: 1500VRMS Hipot.
- Dual primaries 115/230V-50/60Hz.
- Secondary: Series or parallel secondaries.
- Terminals: Printed circuit board.
- Insulation: Class B (130°C)
- RoHS Compliant.
- Operating temperature range: -40°C to +125°C.
- Storage temperature range: -55°C to +125°C.
- Packaging: Bulk.
- MoxiE Inductor Corporation specifications are subject to change without notice.
- Tolerances unless otherwise specified: 0-10=±0.15, 10-20=±0.20, 20-40=±0.25, 40-70=±0.30, ≥70=±0.40

MoxiE
INDUCTOR CORPORATION

(888) 535-5207 WWW.MOXIEINDUCTORS.COM

PCB LAMINATED TRANSFORMER

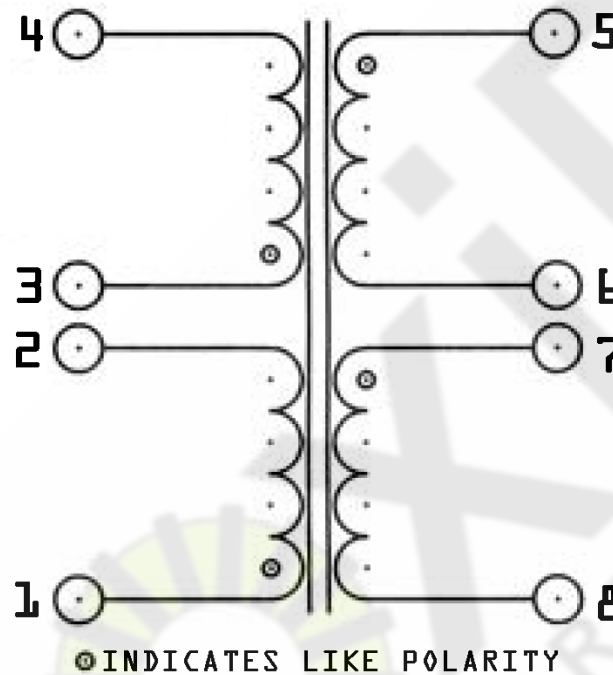
MOXIE MOX-TRFL-4022 SERIES

PAGE 1/5

REV. A

DWG NMBR: MOXTRFL4022

SCHEMATIC



MOXIE NOTES:

- Low frequency, low profile, open style design, laminated.
- Dielectric strength: 1500VRMS Hipot.
- Dual primaries 115/230V-50/60Hz.
- Secondary: Series or parallel secondaries.
- Terminals: Printed circuit board.
- Insulation: Class B (130°C)
- RoHS Compliant.
- Operating temperature range: -40°C to +125°C.
- Storage temperature range: -55°C to +125°C.
- Packaging: Bulk.
- MoxiE Inductor Corporation specifications are subject to change without notice.
- Tolerances unless otherwise specified: 0-10=±0.15, 10-20=±0.20, 20-40=±0.25, 40-70=±0.30, ≥70=±0.40

MoxiE
INDUCTOR CORPORATION

(888) 535-5207 WWW.MOXIEINDUCTORS.COM

PCB LAMINATED TRANSFORMER

MOXIE MOX-TRFL-4022 SERIES

PAGE 2/5

REV. A

DWG NMBR: MOXTRFL4022

ELECTRICAL @ 25°C

MOXIE PART NUMBER	VA (SIZE)	SECONDARY RMS(SERIES)	SECONDARY RMS (PRIMARY)
MOX-TRFL-4022-10-2	2	10VCT@250mA	5V@500mA
MOX-TRFL-4022-10-6	6	10VCT@600mA	5V@1.2A
MOX-TRFL-4022-10-12	12	10VCT@1.2A	5V@2.4A
MOX-TRFL-4022-10-24	24	10VCT@2.4A	5V@4.8A
MOX-TRFL-4022-10-48	48	10VCT@4.8A	5V@9.6A
MOX-TRFL-4022-12.6-2	2	12.6VCT@200mA	6.3V@400mA
MOX-TRFL-4022-12.6-6	6	12.6VCT@450mA	6.3V@900mA
MOX-TRFL-4022-12.6-12	12	12.6VCT@950mA	6.3V@1.9A
MOX-TRFL-4022-12.6-24	24	12.6VCT@1.9A	6.3V@3.8A
MOX-TRFL-4022-12.6-48	48	12.6VCT@3.8A	6.3V@7.6A
MOX-TRFL-4022-16-2	2	16VCT@150mA	8V@300mA
MOX-TRFL-4022-16-6	6	16VCT@350mA	8V@700mA
MOX-TRFL-4022-16-12	12	16VCT@750mA	8V@1.5A
MOX-TRFL-4022-16-24	24	16VCT@1.5A	8V@3.0A
MOX-TRFL-4022-16-48	48	16VCT@3.0A	8V@6.0A
MOX-TRFL-4022-20-2	2	20VCT@125mA	10V@250mA
MOX-TRFL-4022-20-6	6	20VCT@300mA	10V@600mA
MOX-TRFL-4022-20-12	12	20VCT@600mA	10V@1.2A
MOX-TRFL-4022-20-24	24	20VCT@1.2A	10V@2.4A
MOX-TRFL-4022-20-48	48	20VCT@2.4A	10V@4.8A
MOX-TRFL-4022-24-2	2	24VCT@100mA	12V@200mA
MOX-TRFL-4022-24-6	6	24VCT@250mA	12V@500mA
MOX-TRFL-4022-24-12	12	24VCT@500mA	12V@1.0A
MOX-TRFL-4022-24-24	24	24VCT@1.0A	12V@2.0A
MOX-TRFL-4022-24-48	48	24VCT@2.0A	20V@4.0A

MOXIE NOTES:

- Low frequency, low profile, open style design, laminated.
- Dielectric strength: 1500VRMS Hipot.
- Dual primaries 115/230V-50/60Hz.
- Secondary: Series or parallel secondaries.
- Terminals: Printed circuit board.
- Insulation: Class B (130°C)
- RoHS Compliant.
- Operating temperature range: -40°C to +125°C.
- Storage temperature range: -55°C to +125°C.
- Packaging: Bulk.
- MoxiE Inductor Corporation specifications are subject to change without notice.
- Tolerances unless otherwise specified: 0-10=±0.15, 10-20=±0.20, 20-40=±0.25, 40-70=±0.30, ≥70=±0.40



(888) 535.5207 WWW.MOXIEINDUCTORS.COM

PCB LAMINATED TRANSFORMER

MOXIE MOX-TRFL-4022 SERIES

PAGE 3/5

REV. A

DWG NMBR: MOXTRFL4022

ELECTRICAL @ 25°C

MOXIE PART NUMBER	VA (SIZE)	SECONDARY RMS(SERIES)	SECONDARY RMS (PRIMARY)
MOX-TRFL-4022-30-2	2	30VCT@85mA	15V@170mA
MOX-TRFL-4022-30-6	6	30VCT@200mA	15V@400mA
MOX-TRFL-4022-30-12	12	30VCT@400mA	15V@800mA
MOX-TRFL-4022-30-24	24	30VCT@800mA	15V@1.6A
MOX-TRFL-4022-30-48	48	30VCT@1.6A	15V@3.2A
MOX-TRFL-4022-34-2	2	34VCT@75mA	17V@150mA
MOX-TRFL-4022-34-6	6	34VCT@170mA	17V@340mA
MOX-TRFL-4022-34-12	12	34VCT@350mA	17V@700mA
MOX-TRFL-4022-34-24	24	34VCT@700mA	17V@1.4A
MOX-TRFL-4022-34-48	48	34VCT@1.4A	17V@2.8A
MOX-TRFL-4022-40-2	2	40VCT@60mA	20V@120mA
MOX-TRFL-4022-40-6	6	40VCT@150mA	20V@300mA
MOX-TRFL-4022-40-12	12	40VCT@300mA	20V@600mA
MOX-TRFL-4022-40-24	24	40VCT@600mA	20V@1.2A
MOX-TRFL-4022-40-48	48	40VCT@1.2A	20V@2.4A
MOX-TRFL-4022-56-2	2	56VCT@45mA	28V@90mA
MOX-TRFL-4022-56-6	6	56VCT@100mA	28V@200mA
MOX-TRFL-4022-56-12	12	56VCT@210mA	28V@420mA
MOX-TRFL-4022-56-24	24	56VCT@425mA	28V@850mA
MOX-TRFL-4022-56-48	48	56VCT@850mA	28V@1.7A

MOXIE NOTES:

- Low frequency, low profile, open style design, laminated.
- Dielectric strength: 1500VRMS Hipot.
- Dual primaries 115/230V-50/60Hz.
- Secondary: Series or parallel secondaries.
- Terminals: Printed circuit board.
- Insulation: Class B (130°C)
- RoHS Compliant.
- Operating temperature range: -40°C to +125°C.
- Storage temperature range: -55°C to +125°C.
- Packaging: Bulk.
- MoxiE Inductor Corporation specifications are subject to change without notice.
- Tolerances unless otherwise specified: 0-10=±0.15, 10-20=±0.20, 20-40=±0.25, 40-70=±0.30, ≥70=±0.40



(888) 535-5207 WWW.MOXIEINDUCTORS.COM

PCB LAMINATED TRANSFORMER

MOXIE MOX-TRFL-4022 SERIES

PAGE 4/5

REV. A

DWG NMBR: MOXTRFL4022

ELECTRICAL @ 25°C

MOXIE PART NUMBER	VA (SIZE)	SECONDARY RMS(SERIES)	SECONDARY RMS (PRIMARY)
MOX-TRFL-4022-88-2	2	88VCT@28mA	44V@56mA
MOX-TRFL-4022-88-6	6	88VCT@65mA	44V@130mA
MOX-TRFL-4022-88-12	12	88VCT@135mA	44V@270mA
MOX-TRFL-4022-120-2	2	120VCT@20mA	60V@40mA
MOX-TRFL-4022-120-6	6	120VCT@50mA	60V@100mA
MOX-TRFL-4022-120-12	12	120VCT@100mA	60V@200mA
MOX-TRFL-4022-230-2	2	230VCT@10mA	115V@20mA
MOX-TRFL-4022-230-6	6	230VCT@25mA	115V@50mA
MOX-TRFL-4022-230-12	12	230VCT@50mA	115V@100mA

MOXIE NOTES:

- Low frequency, low profile, open style design, laminated.
- Dielectric strength: 1500VRMS Hipot.
- Dual primaries 115/230V-50/60Hz.
- Secondary: Series or parallel secondaries.
- Terminals: Printed circuit board.
- Insulation: Class B (130°C)
- RoHS Compliant.
- Operating temperature range: -40°C to +125°C.
- Storage temperature range: -55°C to +125°C.
- Packaging: Bulk.
- MoxiE Inductor Corporation specifications are subject to change without notice.
- Tolerances unless otherwise specified: 0-10=±0.15, 10-20=±0.20, 20-40=±0.25, 40-70=±0.30, ≥70=±0.40

MoxiE
INDUCTOR CORPORATION

(888) 535-5207 WWW.MOXIEINDUCTORS.COM

PCB LAMINATED TRANSFORMER

MOXIE MOX-TRFL-4022 SERIES

PAGE 5/5

REV. A

DWG NMBR: MOXTRFL4022