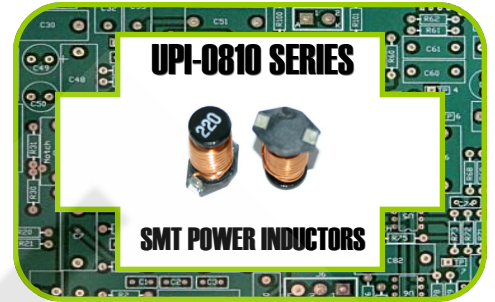


MOX-UPI-0810 SERIES

MoxiE's UPI-0810 surface mount power inductors are engineered for the stringent high current requirements of step up and step down transformers, notebook computers and various other handheld devices. MoxiE offers a unique industrial design to meet the most robust applications. The MOX-UPI-0810 is available in a wide range of inductance values to meet your design requirements.

Features

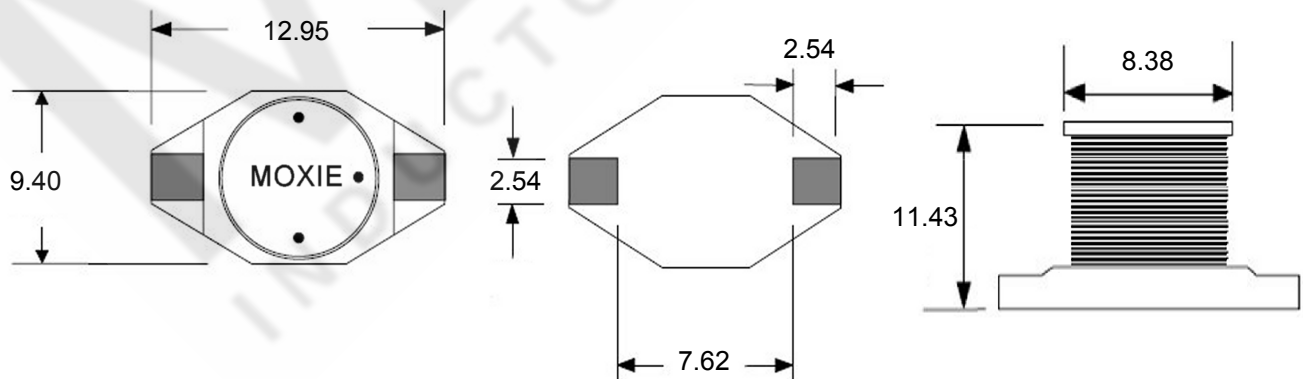
- RoHS compliant.
- High current ratings.
- Low cost.
- MoxiE custom designs available.



NOTES



MECHANICAL DIMENSIONS





ELECTRICAL SPECIFICATIONS

MoxiE Part Number	Available Tolerances	Inductance (uH)	Test Frequency (kHz)	RDC (Ω Max.)	Isat ¹ (A)	Irms ² (A)	SRF (MHz) Typ.
MOX-UPI-0810-100M-N	20(M)	10.0	100 KHz,0.1 V	0.033	8.00	3.50	22.0
MOX-UPI-0810-150M-N	20(M)	15.0	100 KHz,0.1 V	0.042	7.00	3.00	18.0
MOX-UPI-0810-220M-N	20(M)	22.0	100 KHz,0.1 V	0.054	5.50	2.50	11.0
MOX-UPI-0810-330M-N	20(M)	33.0	100 KHz,0.1 V	0.08	4.00	2.00	9.00
MOX-UPI-0810-470M-N	20(M)	47.0	100 KHz,0.1 V	0.10	3.80	1.60	8.00
MOX-UPI-0810-680M-N	20(M)	68.0	100 KHz,0.1 V	0.17	3.00	1.20	7.00
MOX-UPI-0810-101M-N	20(M)	100.0	100 KHz,0.1 V	0.22	2.50	1.20	5.00
MOX-UPI-0810-151M-N	20(M)	150.0	100 KHz,0.1 V	0.34	2.00	0.90	4.00
MOX-UPI-0810-221M-N	20(M)	220.0	100 KHz,0.1 V	0.44	1.60	0.70	3.50
MOX-UPI-0810-331M-N	20(M)	330.0	100 KHz,0.1 V	0.70	1.20	0.60	2.50
MOX-UPI-0810-471M-N	20(M)	470.0	100 KHz,0.1 V	0.95	1.00	0.30	2.00
MOX-UPI-0810-681M-N	20(M)	680.0	100 KHz,0.1 V	1.20	1.00	0.20	2.00
MOX-UPI-0810-102M-N	20(M)	1000.0	100 KHz,0.1 V	2.00	0.80	0.10	1.50



ENGINEERING DATA

- ¹DC current at which the inductance drops 10% (typ) from its value without current.
- ²Average current for 15°C rise above 25°C ambient.
- Operating temperature range -40°C to +85°C.
- All electrical specifications are at 25°C.
- Inductance measured with zero DC current.
- RoHS Compliant.
- MoxiE Inductor Corporation specifications are subject to change without notice.