

# MOX-SPI-0303

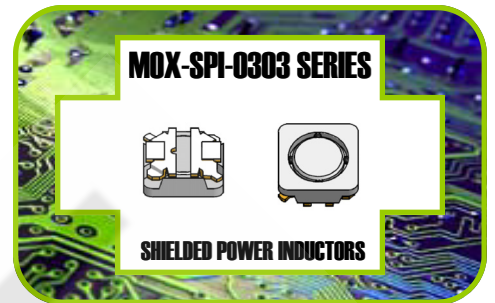
**MoxiE**  
INDUCTOR CORPORATION

## Surface Mount Shielded Power Inductors

MoxiE's SPI-0303 series of surface mount shielded inductors are engineered for portable DC-DC converter lines & industrial electronics. MoxiE offers an industry leading ultra low profile magnetically shielded package that offer high inductance & high power.

### Features:

- Miniature size, Mounting area: 3.2 x 3.2 Height: 1.5mm max.
- Low Cost.
- Operating Temperature: -40°C to +105°C. (including self temperature rise)
- Available Tolerances:  $\pm 20\%$  &  $\pm 30\%$ .
- RoHS Compliant.



## NOTES

---

---

---

---

---

---

---

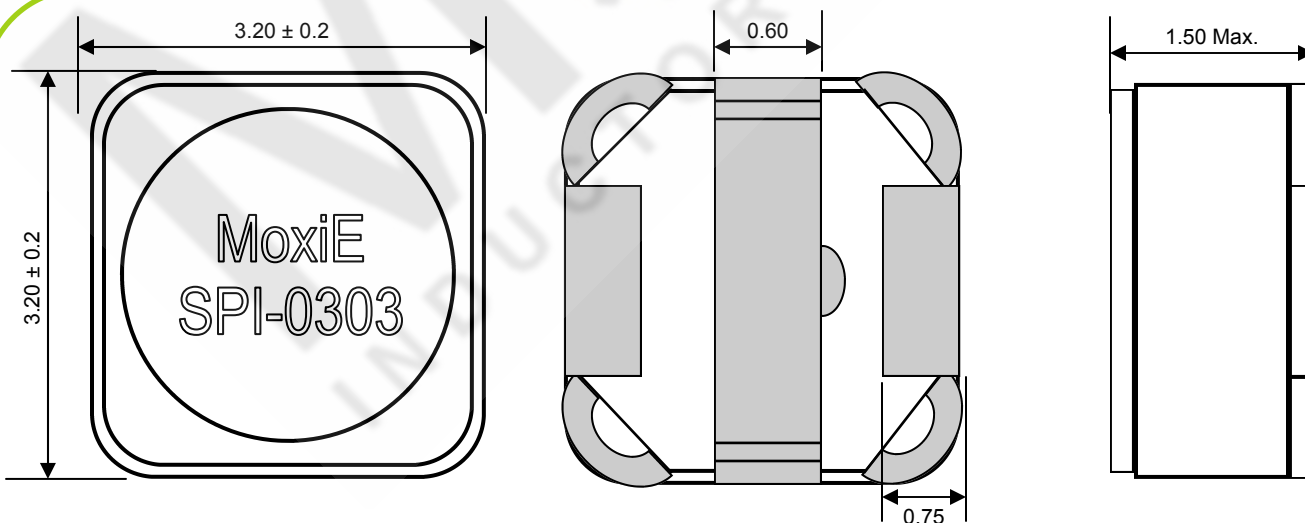
---

---

---

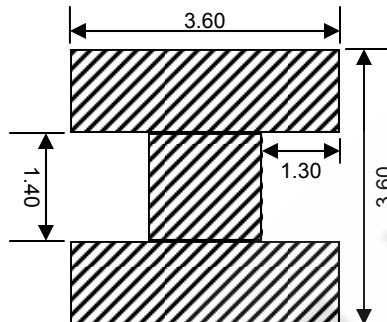


## MECHANICAL DIMENSIONS





## LANDING PATTERN



## ELECTRICAL SPECIFICATIONS

MoxiE Part Number	Inductance ( $\mu\text{H}$ )	Tolerance (%)	DCR (m $\Omega$ ) Maximum	DCR (m $\Omega$ ) Typical	IDC1 (A)	IDC2 (A)
MOX-SPI-0303-1R5N	1.50	30% (N)	88	70	2.0	1.66
MOX-SPI-0303-1R8N	1.80	30% (N)	97	77	1.7	1.56
MOX-SPI-0303-2R2N	2.20	30% (N)	111	89	1.5	1.35
MOX-SPI-0303-2R7N	2.70	30% (N)	123	98	1.4	1.26
MOX-SPI-0303-3R3N	3.30	30% (N)	138	110	1.3	1.12
MOX-SPI-0303-3R9N	3.90	30% (N)	145	116	1.2	1.09
MOX-SPI-0303-4R7N	4.70	30% (N)	199	159	1.1	0.95
MOX-SPI-0303-5R6N	5.60	30% (N)	217	174	0.95	0.91
MOX-SPI-0303-6R8N	6.80	30% (N)	284	227	0.90	0.79
MOX-SPI-0303-8R2N	8.20	30% (N)	304	243	0.85	0.74
MOX-SPI-0303-100M	10.00	20% (M)	391	313	0.75	0.65
MOX-SPI-0303-120M	12.00	20% (M)	448	359	0.62	0.55
MOX-SPI-0303-220M	22.00	20% (M)	773	619	0.48	0.48

### Rated Current:

IDC1: The value obtained DC current flows and the nominal value of inductance has fallen by 35%.

IDC2: The value obtained when current flows and the temperature has risen to 40°C.



## MOX-SPI-0303 ENGINEERING NOTES

- Available Tolerances: N=  $\pm 30\%$ , M=  $\pm 20\%$ .
- RoHS compliant.
- Packaging: Tape & Reel. (3,000 pieces per reel)
- MoxiE Inductor Corporation specifications are subject to change without notice.